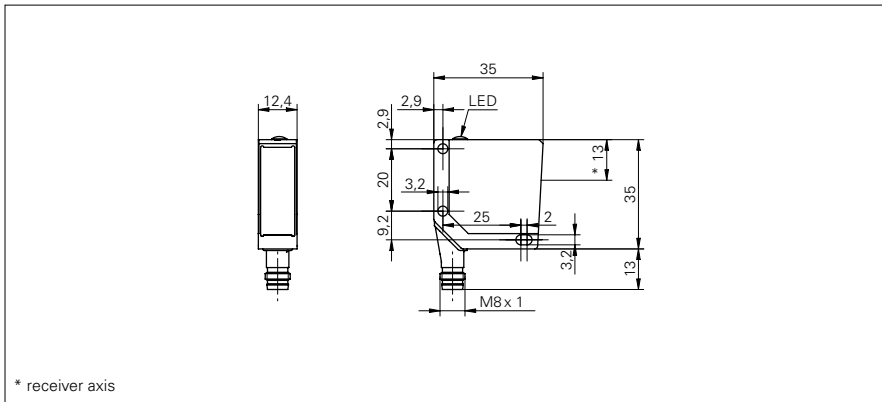


**Through beam sensors**

**FEDM 12 (Receiver)**

**sample drawing**



**general data**

type	through beam sensor
emitter / receiver	receiver
actual range $S_b$	6 m
nominal range $S_n$	7,5 m
alignment / soiled lens indicator	flashing light indicator
light indicator	LED yellow
sensitivity adjustment	no

**electrical data**

response time / release time	< 1 ms
voltage supply range +Vs	10 ... 30 VDC
current consumption max. (no load)	17 mA
current consumption typ.	17 mA
voltage drop Vd	< 1,8 VDC
output function	light / dark operate
output circuit	PNP
output current	< 100 mA
short circuit protection	yes
reverse polarity protection	yes

**mechanical data**

width / diameter	12,4 mm
height / length	35 mm
depth	35 mm
type	rectangular
housing material	die-cast zinc
front (optics)	PMMA

**ambient conditions**

operating temperature	-25 ... +65 °C
protection class	IP 67

**order reference**

<b>FEDM 12P5101</b>
<b>FEDM 12P5101/S35A</b>

**connection types**

cable 4 pin, 2 m
connector M8 4 pin

**sample picture**

