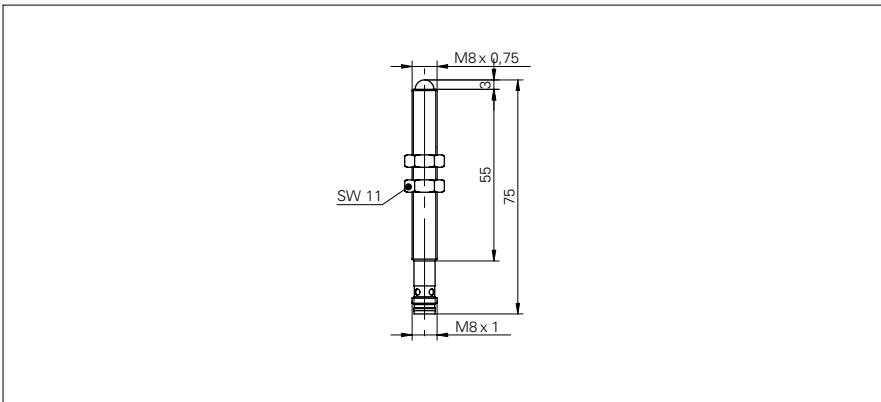


**Through beam sensors**

**FSAM 08 (Emitter)**

**sample drawing**



**general data**

type	through beam sensor
emitter / receiver	emitter
light source	pulsed infrared diode
actual range $S_b$	2,5 m
nominal range $S_n$	3 m
wave length	880 nm

**electrical data**

voltage supply range +Vs	10 ... 30 VDC
current consumption max. (no load)	48 mA
current consumption typ.	17 mA
reverse polarity protection	yes

**mechanical data**

width / diameter	8 mm
type	cylindrical threaded
housing material	brass nickel plated
front (optics)	PC

**ambient conditions**

operating temperature	-25 ... +65 °C
protection class	IP 65

order reference	connection types	height / length
<b>FSAM 08D9002</b>	cable 3 pin, 2 m	59 mm
<b>FSAM 08D9002/S35</b>	connector M8, 3 pin	75,5 mm

**sample picture**

