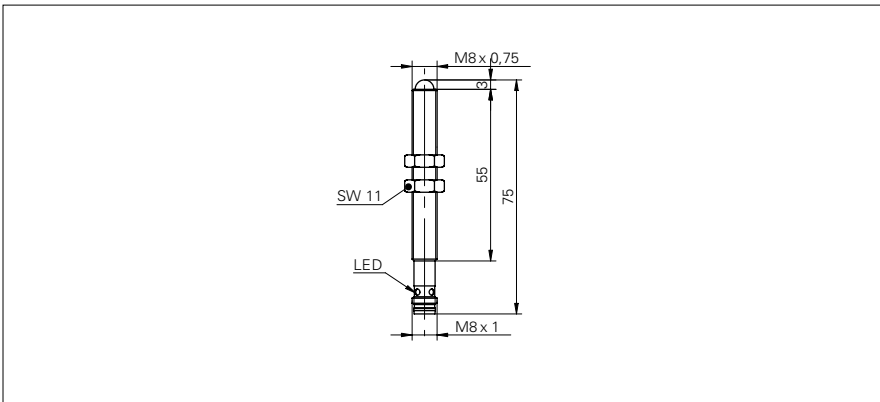


**Through beam sensors**

**FEAM 08 (Receiver)**

**sample drawing**



**general data**

type	through beam sensor
emitter / receiver	receiver
actual range Sb	2,5 m
nominal range Sn	3 m
alignment / soiled lens indicator	flashing light indicator
light indicator	LED red
sensitivity adjustment	no

**sample picture**



**electrical data**

response time / release time	< 2,5 ms
voltage supply range +Vs	10 ... 30 VDC
current consumption max. (no load)	24 mA
current consumption typ.	24 mA
voltage drop Vd	< 2 VDC
output circuit	PNP
output current	< 100 mA
short circuit protection	yes
reverse polarity protection	yes

**mechanical data**

width / diameter	8 mm
type	cylindrical threaded
housing material	brass nickel plated
front (optics)	PC

**ambient conditions**

operating temperature	-25 ... +65 °C
protection class	IP 65

order reference	connection types	height / length	output function
<b>FEAM 08P1002</b>	cable 3 pin, 2 m	59 mm	light operate
<b>FEAM 08P1002/S35L</b>	connector M8, 3 pin	75,5 mm	light operate
<b>FEAM 08P3002</b>	cable 3 pin, 2 m	59 mm	dark operate
<b>FEAM 08P3002/S35L</b>	connector M8, 3 pin	75,5 mm	dark operate