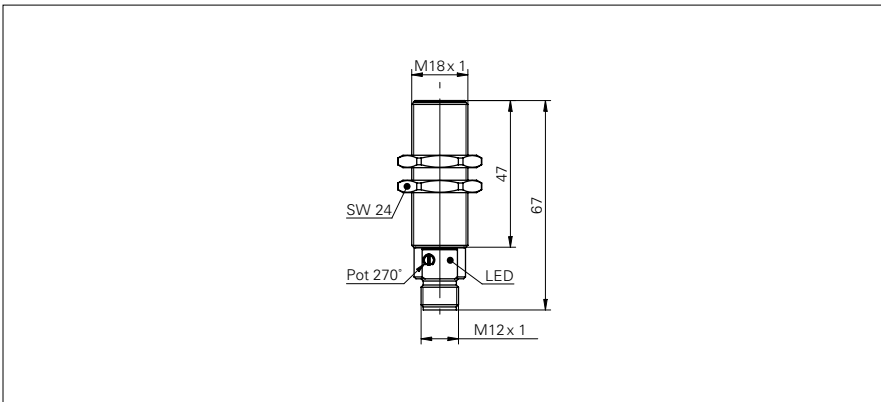


Through beam sensors

FEAM 18 (Receiver)

sample drawing



general data

type	through beam sensor
emitter / receiver	receiver
actual range Sb	16 m
nominal range Sn	20 m
alignment / soiled lens indicator	flashing light indicator
light indicator	LED yellow
sensitivity adjustment	potentiometer, 270°

sample picture



electrical data

response time / release time	< 1 ms
voltage supply range +Vs	10 ... 30 VDC
current consumption max. (no load)	20 mA
current consumption typ.	20 mA
voltage drop Vd	< 1,8 VDC
output function	dark operate
output current	< 200 mA
short circuit protection	yes
reverse polarity protection	yes

mechanical data

width / diameter	18 mm
type	cylindrical threaded
housing material	brass nickel plated / PC
front (optics)	PC

ambient conditions

operating temperature	-25 ... +55 °C
protection class	IP 67

order reference	connection types	height / length	output circuit
FEAM 18N3150	cable 3 pin, 2 m	57 mm	NPN
FEAM 18N3150/S14	connector M12 4 pin	67 mm	NPN
FEAM 18P3150	cable 3 pin, 2 m	57 mm	PNP
FEAM 18P3150/S14	connector M12 4 pin	67 mm	PNP