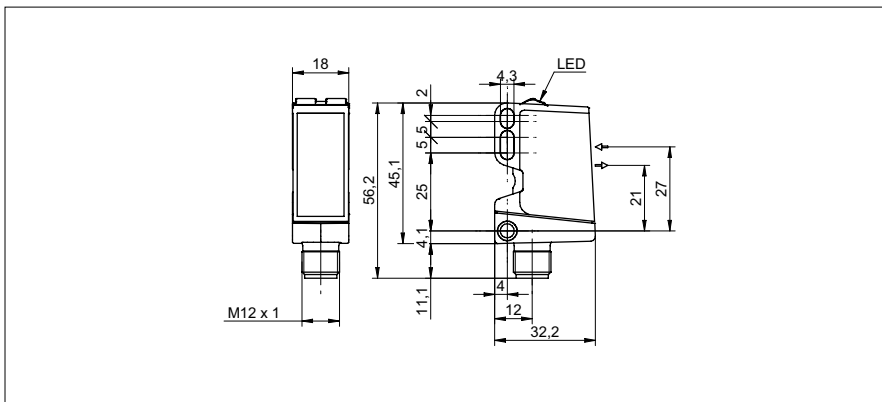


Retro-reflective sensors

O500.RR

sample drawing



general data

type	retro-reflective sensor
light source	pulsed red LED
actual range S_b	7,5 m
nominal range S_n	8 m
polarization filter	yes
light indicator	LED yellow
power on indication	LED green
sensitivity adjustment	no
wave length	630 nm
suppression of reciprocal influence	yes
alignment optical axis	$< 1^\circ$

electrical data

response time / release time	$< 0,49$ ms
voltage supply range +Vs	10 ... 30 VDC
current consumption max. (no load)	40 mA
current consumption typ.	30 mA
voltage drop V_d	< 3 VDC
output circuit	push-pull
output current	< 100 mA
short circuit protection	yes
reverse polarity protection	yes

mechanical data

width / diameter	18 mm
height / length	45 mm
depth	32 mm
type	rectangular
housing material	plastic (ASA, PMMA)
front (optics)	PMMA

ambient conditions

operating temperature	-25 ... +60 °C
protection class	IP 67

sample picture



Retro-reflective sensors**O500.RR**

order reference	connection types	output function
O500.RR-11096093	cable 3 pin, 2 m	dark operate
O500.RR-11096091	connector M12 3 pin	dark operate
O500.RR-11096092	cable 3 pin, 2 m	light operate
O500.RR-11096090	connector M12 3 pin	light operate