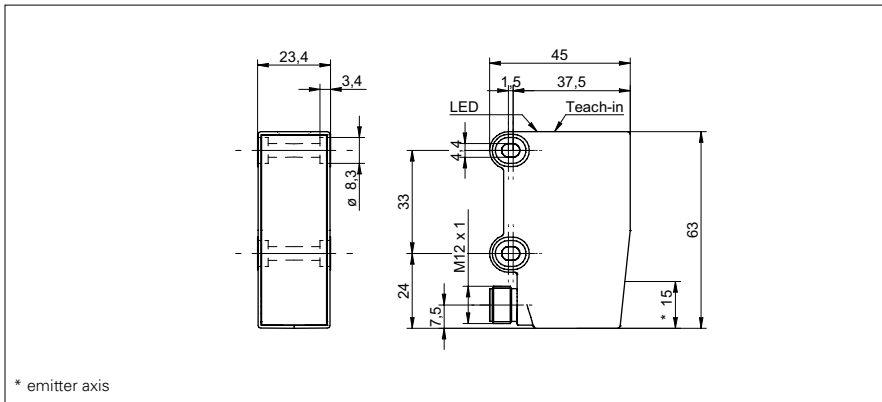


Diffuse sensors with background suppression

OHDK 25G6912/S14C

dimension drawing



general data

type	background suppression
light source	pulsed red laser diode
sensing distance Tw	100 ... 1750 mm
sensing range Tb	100 ... 1750 mm
power on indication	LED green
light indicator	LED yellow
sensing distance adjustment	Teach-in
laser class	1
wave length	656 nm
beam diameter	3,7 ... 22 mm
black/white shift	0%

electrical data

response time / release time	< 10 ms
voltage supply range +Vs	10 ... 30 VDC
current consumption max. (no load)	80 mA
voltage drop Vd	< 3,5 VDC
output function	light / dark operate
output circuit	push-pull
output current	< 100 mA
number of outputs	2
short circuit protection	yes
reverse polarity protection	yes

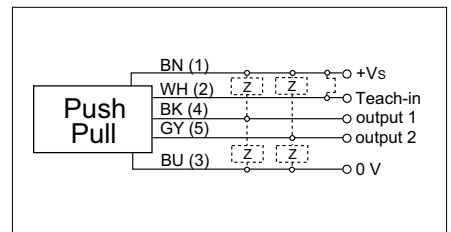
mechanical data

width / diameter	23,4 mm
height / length	63 mm
depth	45 mm
type	rectangular
housing material	plastic (SAN LURAN 378P)
front (optics)	PMMA
connection types	connector M12 5 pin

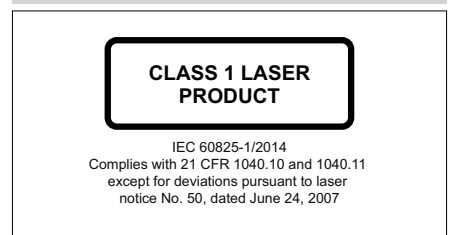
photo



connection diagram



laser warning



• qTeach

Diffuse sensors with background suppression

OHDK 25G6912/S14C

ambient conditions

operating temperature	0 ... +50 °C
protection class	IP 67
storage temperature	-10 ... +70 °C