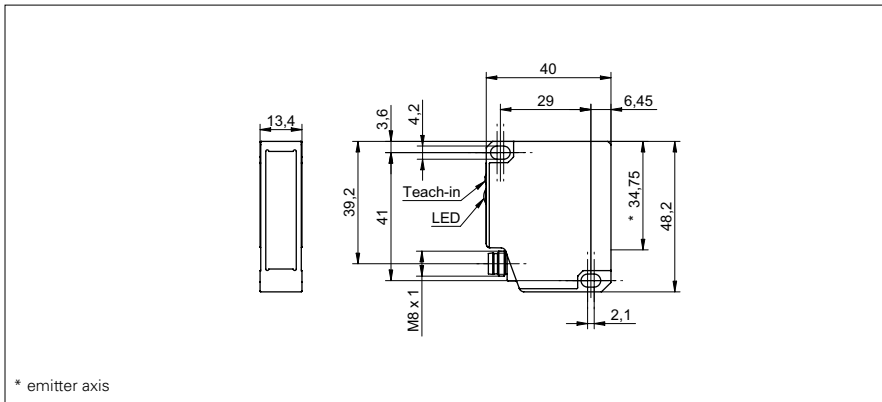


Diffuse sensors with background suppression

OHDM 13 (Laser)

sample drawing



* emitter axis

general data

type	background suppression
light source	pulsed red laser diode
sensing distance Tw	50 ... 550 mm
sensing range Tb (at Tw max.)	50 ... 550 mm
sensing range Tb (at Tw min.)	16 ... 17 mm
power on indication	LED green
light indicator	LED red
sensing distance adjustment	Teach-in
laser class	2

electrical data

response time	< 5 ms
release time	< 15 ms
voltage supply range +Vs	12 ... 28 VDC
current consumption max. (no load)	80 mA
current consumption typ.	40 mA
voltage drop Vd	< 2,8 VDC
output function	light / dark operate
output current	< 100 mA
short circuit protection	yes
reverse polarity protection	yes, Vs to GND

mechanical data

width / diameter	13,4 mm
height / length	48,2 mm
depth	40 mm
type	rectangular
housing material	aluminum
front (optics)	glass
connection types	connector M8 4 pin

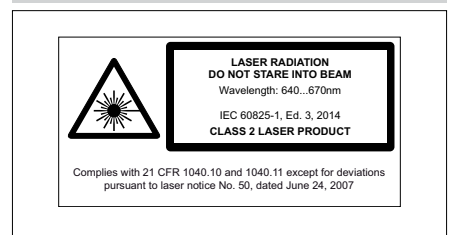
ambient conditions

operating temperature	0 ... +50 °C
protection class	IP 67

sample picture



laser warning



**Diffuse sensors with
background suppression**
OHDM 13 (Laser)

order reference	output circuit	wave length	beam type	beam width	beam height	beam diameter
OHDM 13N6901/S35A	NPN	675 nm	point	-	-	1 mm
OHDM 13P6901/S35A	PNP	675 nm	point	-	-	1 mm
OHDM 13P6951/S35A	PNP	650 nm	line	2 mm	4 ... 13 mm	-