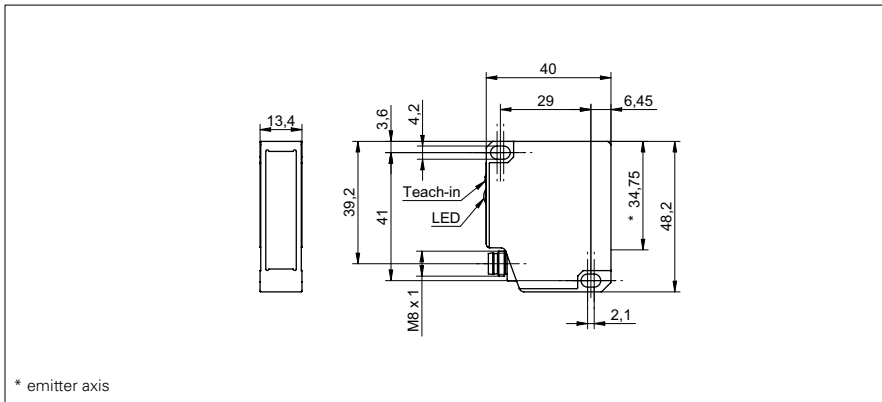


Diffuse sensors with background suppression

OHDM 13N6901/S35A

dimension drawing



general data

type	background suppression
light source	pulsed red laser diode
sensing distance Tw	50 ... 550 mm
sensing range Tb (at Tw max.)	50 ... 550 mm
sensing range Tb (at Tw min.)	16 ... 17 mm
power on indication	LED green
light indicator	LED red
sensing distance adjustment	Teach-in
laser class	2
wave length	675 nm
beam diameter	1 mm
beam type	point

electrical data

response time	< 5 ms
release time	< 15 ms
voltage supply range +Vs	12 ... 28 VDC
current consumption max. (no load)	80 mA
current consumption typ.	40 mA
voltage drop Vd	< 2,8 VDC
output function	light / dark operate
output circuit	NPN
output current	< 100 mA
short circuit protection	yes
reverse polarity protection	yes, Vs to GND

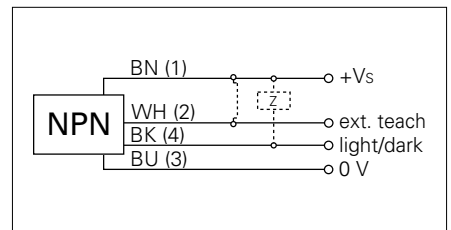
mechanical data

width / diameter	13,4 mm
height / length	48,2 mm
depth	40 mm
type	rectangular
housing material	aluminum
front (optics)	glass
connection types	connector M8 4 pin

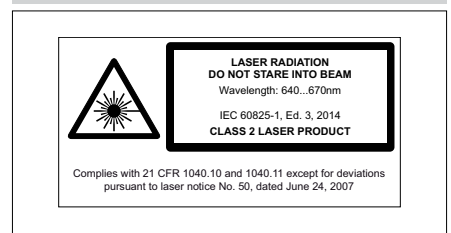
photo



connection diagram



laser warning



Diffuse sensors with background suppression

OHDM 13N6901/S35A

ambient conditions

operating temperature	0 ... +50 °C
protection class	IP 67