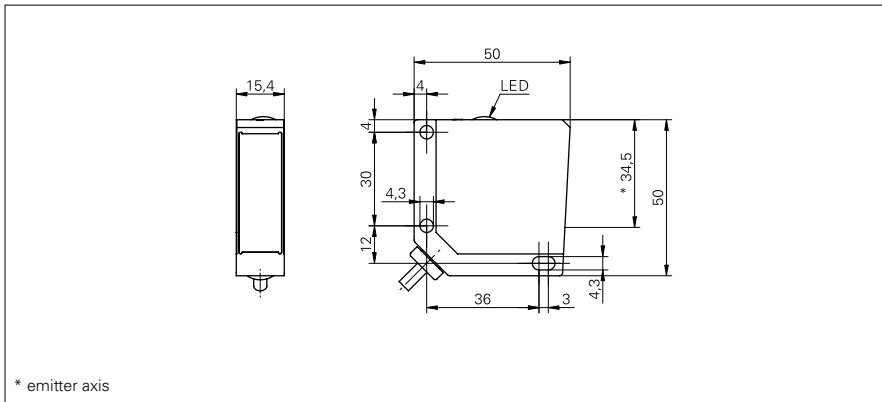


Diffuse sensors with background suppression

OHDM 16 (Laser, wafer mapping sensor)

sample drawing



general data

| | |
|-------------------------------------|-------------------------|
| type | background suppression |
| version | wafer mapping sensor |
| light source | pulsed red laser diode |
| sensing distance Tw | 123 ... 143 mm |
| repeat accuracy | < 0,1 mm at laser focus |
| power on indication | LED green |
| output indicator | LED yellow |
| sensing distance adjustment | no |
| laser class | 2 |
| wave length | 650 nm |
| suppression of reciprocal influence | yes |

electrical data

| | |
|------------------------------------|----------------------|
| response time / release time | < 5 ms |
| voltage supply range +Vs | 10 ... 30 VDC |
| current consumption max. (no load) | 35 mA |
| current consumption typ. | 25 mA |
| voltage drop Vd | < 2 VDC |
| output function | light / dark operate |
| output current | < 200 mA |
| short circuit protection | yes |
| reverse polarity protection | yes |

mechanical data

| | |
|------------------|-----------------|
| width / diameter | 15,4 mm |
| height / length | 50 mm |
| depth | 50 mm |
| type | rectangular |
| housing material | die-cast zinc |
| front (optics) | glass |
| connection types | cabl 5 pin, 2 m |

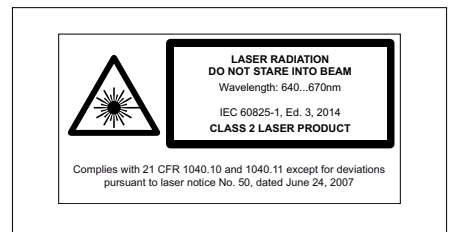
ambient conditions

| | |
|-----------------------|---------------|
| operating temperature | -5 ... +50 °C |
| protection class | IP 67 |

sample picture



laser warning



**Diffuse sensors with
background suppression****OHDM 16 (Laser, wafer mapping sensor)**

| order reference | output circuit |
|------------------------|-----------------------|
| OHDM 16N5651 | NPN |
| OHDM 16P5651 | PNP |