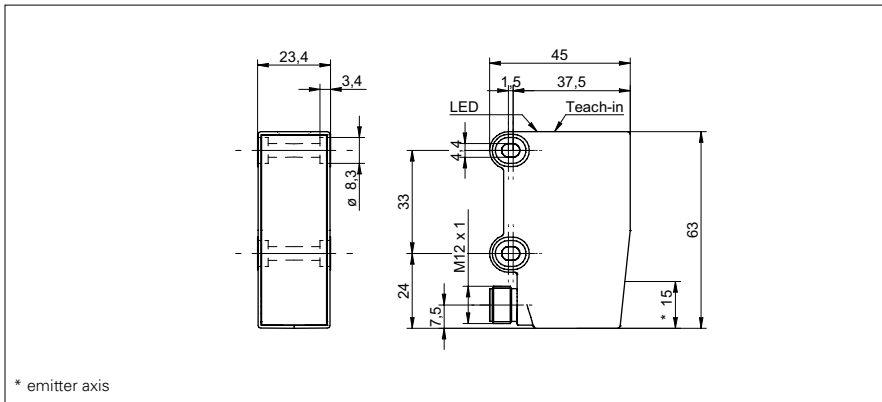


SmartReflect Light barriers

ONDK 25 (Laser)

sample drawing



general data

type	light barrier
version	standard object detection
light source	pulsed red laser diode
background position Sde	100 ... 1900 mm
scanning range Sa	97% ... 83% Sde
alignment / soiled lens indicator	flashing light indicator
power on indication	LED green
light indicator	LED yellow
sensing distance adjustment	Teach-in
laser class	1
wave length	656 nm
beam diameter	3,7 ... 22 mm

electrical data

response time / release time	< 10 ms
voltage supply range +Vs	10 ... 30 VDC
current consumption max. (no load)	80 mA
voltage drop Vd	< 3,5 VDC
output function	light / dark operate
output circuit	push-pull
output current	< 100 mA
short circuit protection	yes
reverse polarity protection	yes

mechanical data

width / diameter	23,4 mm
height / length	63 mm
depth	45 mm
type	rectangular
housing material	plastic (SAN LURAN 378P)
front (optics)	PMMA

ambient conditions

operating temperature	0 ... +50 °C
protection class	IP 67
storage temperature	-10 ... +70 °C

sample picture



SmartReflect Light barriers**ONDK 25 (Laser)**

order reference	connection types
ONDK 25G6911	cable, 2 m
ONDK 25G6911/S14	connector M12 5 pin