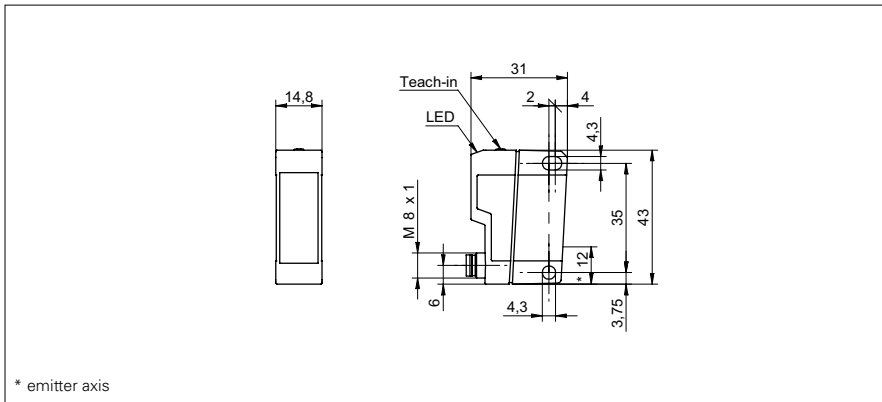


Diffuse contrast sensors

OZDK 14 (Laser)

sample drawing



* emitter axis

general data

type	diffuse contrast sensor
light source	pulsed red laser diode
sensing distance Tw	20 ... 300 mm
optimum operating distance	40 ... 60 mm
repeat accuracy	< 0,2 mm at laser focus
alignment / soiled lens indicator	flashing light indicator
power on indication	LED green
light indicator	LED yellow
sensitivity adjustment	Teach-in
laser class	2
distance to focus	115 mm
wave length	650 nm

electrical data

response time / release time	< 0,15 ms
voltage supply range +Vs	10 ... 30 VDC
current consumption max. (no load)	35 mA
current consumption typ.	25 mA
voltage drop Vd	< 2,2 VDC
output function	light operate
output current	< 100 mA
short circuit protection	yes
reverse polarity protection	yes

mechanical data

width / diameter	14,8 mm
height / length	43 mm
depth	31 mm
type	rectangular
housing material	plastic (ASA, MABS)
front (optics)	PMMA

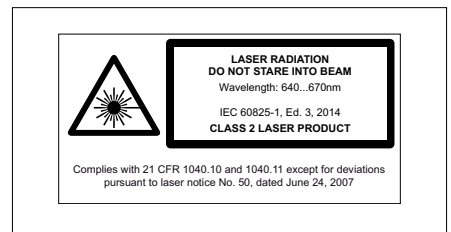
ambient conditions

operating temperature	-10 ... +50 °C
protection class	IP 67

sample picture



laser warning



Diffuse contrast sensors**OZDK 14 (Laser)**

order reference	connection types	output circuit
OZDK 14N1901/S14	connector M12 4 pin	NPN
OZDK 14P1901	cable 4 pin, 2 m	PNP
OZDK 14P1901/S14	connector M12 4 pin	PNP
OZDK 14P1901/S35A	connector M8 4 pin	PNP