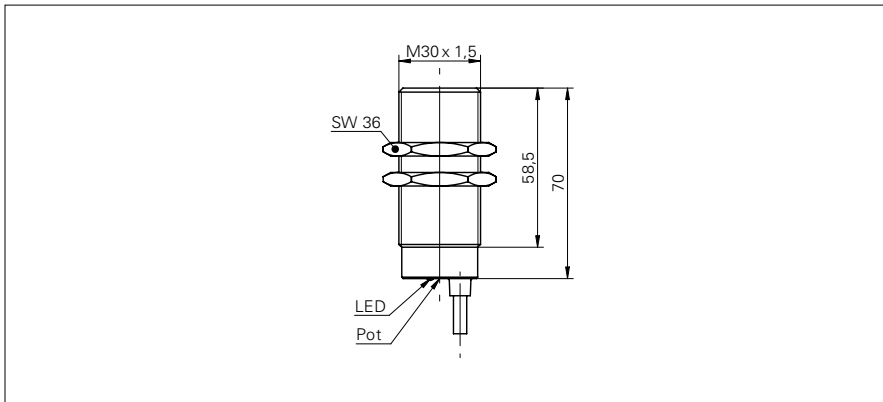


# Ultrasonic distance measuring sensors

## UNAM 30U9103

**dimension drawing**



**general data**

scanning range Sd	100 ... 1000 mm
scanning range far limit Sde	100 ... 1000 mm
version	standard
repeat accuracy	< 0,5 mm
resolution	< 0,3 mm
response time ton	< 80 ms
release time toff	< 80 ms
temperature drift	< 2 % of distance to target So
sonic frequency	240 kHz
adjustment	potentiometer
alignment aid	target indication flashing
light indicator	LED green

**electrical data**

voltage supply range +Vs	15 ... 30 VDC
current consumption max. (no load)	35 mA
output circuit	voltage output
output signal	0 ... 10 VDC
output current	< 20 mA
residual ripple	< 10 % Vs
short circuit protection	yes
reverse polarity protection	yes

**mechanical data**

type	cylindrical threaded
housing material	brass nickel plated
width / diameter	30 mm
height / length	70 mm
connection types	cable, 2 m

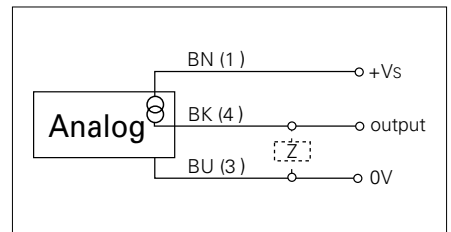
**ambient conditions**

operating temperature	-10 ... +60 °C
protection class	IP 67

**photo**



**connection diagram**



UL.eps

- Analog voltage output 0 - 10 V

# Ultrasonic distance measuring sensors

## UNAM 30U9103

typical sonic cone profile

