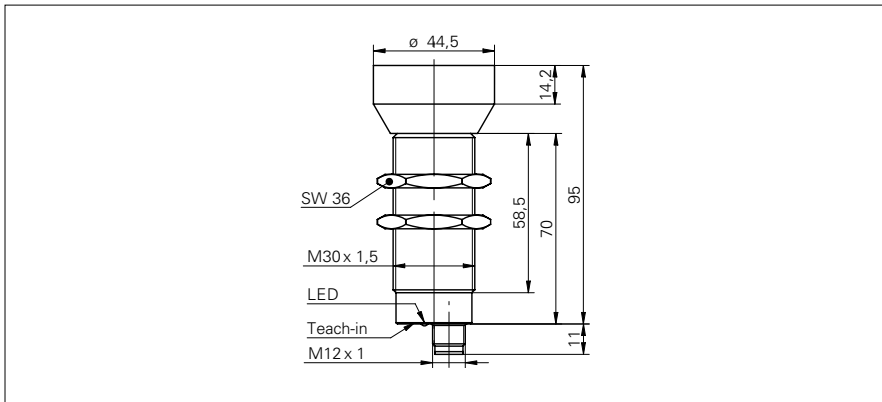


Ultrasonic distance measuring sensors

UNAM 50I6121/S14

dimension drawing



general data

| | |
|--------------------------------|--------------------------------|
| scanning range Sd | 400 ... 2500 mm |
| scanning range close limit Sdc | 400 ... 2500 mm |
| scanning range far limit Sde | 400 ... 2500 mm |
| repeat accuracy | < 1 mm |
| resolution | < 0,3 mm |
| response time ton | < 160 ms |
| release time toff | < 160 ms |
| temperature drift | < 2 % of distance to target So |
| sonic frequency | 120 kHz |
| adjustment | Teach-in |
| alignment aid | target indication flashing |
| light indicator | yellow LED / red LED |

electrical data

| | |
|------------------------------------|---------------------------|
| voltage supply range +Vs | 15 ... 30 VDC |
| current consumption max. (no load) | 55 mA |
| output circuit | current output |
| output signal | 4 ... 20 mA / 20 ... 4 mA |
| output current | < 20 mA |
| load resistance +Vs max. | < 1100 Ohm |
| load resistance +Vs min. | < 400 Ohm |
| residual ripple | < 10 % Vs |
| short circuit protection | yes |
| reverse polarity protection | yes |

mechanical data

| | |
|------------------|----------------------|
| type | cylindrical threaded |
| housing material | brass nickel plated |
| width / diameter | 30 mm |
| height / length | 95 mm |
| connection types | connector M12 |

ambient conditions

| | |
|-----------------------|----------------|
| operating temperature | -10 ... +60 °C |
| protection class | IP 67 |

photo



connection diagram



UL.eps

- Analog current output 4-20 mA
- long sensing distance

Ultrasonic distance measuring sensors

UNAM 50I6121/S14

typical sonic cone profile

