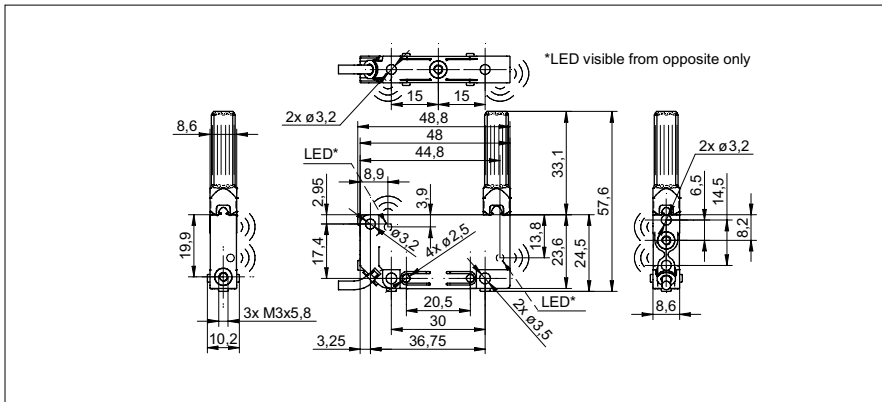


Ultrasonic distance measuring sensors

UNDK 09T9114/D1

dimension drawing



general data

scanning range Sd	3 ... 150 mm
scanning range close limit Sdc	3 ... 150 mm
scanning range far limit Sde	3 ... 150 mm
repeat accuracy	< 0,5 mm
repeat accuracy (filter active)	< 0,1 mm
resolution	< 0,3 mm
resolution (filter active)	< 0,1 mm
response time ton	< 7 ms
temperature drift	< 0,18 % Sde/K (comp. off, factory set) < 2 % So (compensation on)
sonic frequency	380 kHz
alignment aid	target indication flashing
light indicator	yellow LED / red LED

electrical data

voltage supply range +Vs	15 ... 30 VDC
current consumption max. (no load)	35 mA
output circuit	RS 232
baud rate	115200
residual ripple	< 10 % Vs
short circuit protection	yes
reverse polarity protection	yes, Vs to GND

mechanical data

type	rectangular
housing material	PA 12
material (beam columnator)	POM
width / diameter	8,6 mm
height / length	48,8 mm
depth	57,7 mm
connection types	cable PUR 4 x 0,08, 2 m

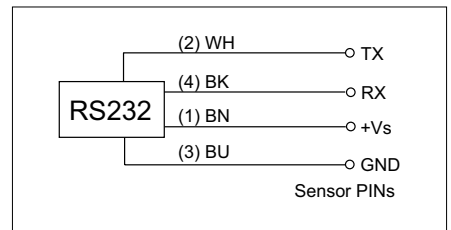
ambient conditions

operating temperature	0 ... +60 °C
protection class	IP 67

photo



connection diagram



UL.eps

- Scanning range 3 ... 150 mm, measured from nozzle
- Information about functional range see instruction manual on www.baumer.com

Ultrasonic distance measuring sensors

UNDK 09T9114/D1

typical sonic cone profile

