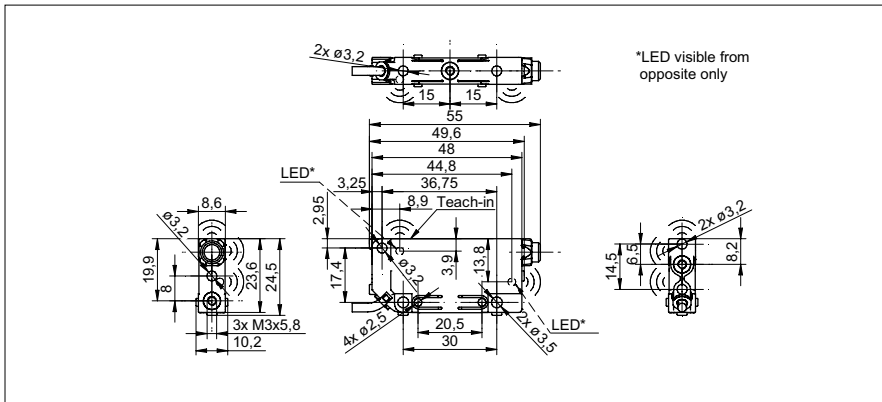


# Ultrasonic distance measuring sensors

## UNCK 09G8914/IO

### dimension drawing



### general data

scanning range Sd	30 ... 200 mm
scanning range close limit Sdc	30 ... 200 mm
scanning range far limit Sde	30 ... 200 mm
repeat accuracy	< 0,5 mm
repeat accuracy (filter active)	< 0,1 mm
resolution	< 0,3 mm
resolution (filter active)	< 0,1 mm
response time ton	< 7 ms
temperature drift	< 2 % of distance to target So
sonic frequency	380 kHz
adjustment	Teach-in and IO-Link
alignment aid	target indication flashing
light indicator	green LED / red LED

### electrical data

voltage supply range +Vs	18 ... 30 VDC
current consumption max. (no load)	35 mA
output circuit	push-pull / IO-Link
baud rate	38400
short circuit protection	yes
reverse polarity protection	yes

### mechanical data

type	rectangular
housing material	PA 12
width / diameter	8,6 mm
height / length	55 mm
depth	24,5 mm
connection types	cable PUR 4 x 0,08, 2 m

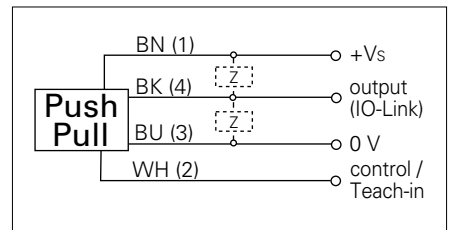
### ambient conditions

operating temperature	0 ... +60 °C
protection class	IP 67

### photo



### connection diagram



**IO-Link**



UL.eps

- IO-Link: Measuring range, switching window, absolute/relative teach-in, service status, object presence, temperature compensation on/off

# Ultrasonic distance measuring sensors

## UNCK 09G8914/IO

typical sonic cone profile

