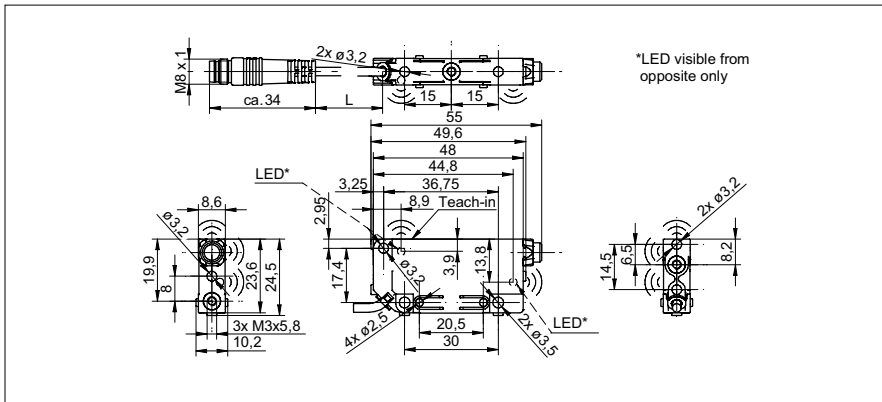


Ultrasonic distance measuring sensors

UNCK 09U6914/KS35A

dimension drawing



general data

scanning range Sd	30 ... 200 mm
scanning range close limit Sdc	30 ... 200 mm
scanning range far limit Sde	30 ... 200 mm
repeat accuracy	< 0,5 mm
resolution	< 0,3 mm
response time ton	< 35 ms
release time toff	< 35 ms
temperature drift	< 2 % of distance to target So
sonic frequency	380 kHz
adjustment	Teach-in
alignment aid	target indication flashing
light indicator	yellow LED / red LED

electrical data

voltage supply range +Vs	15 ... 30 VDC
current consumption max. (no load)	35 mA
output circuit	voltage output
output signal	0 ... 10 V / 10 ... 0 V
output current	< 15 mA
residual ripple	< 10 % Vs
short circuit protection	yes
reverse polarity protection	yes

mechanical data

type	rectangular
housing material	PA 12
width / diameter	8,6 mm
height / length	55 mm
depth	24,5 mm
connection types	flylead connector M8, L=200 mm

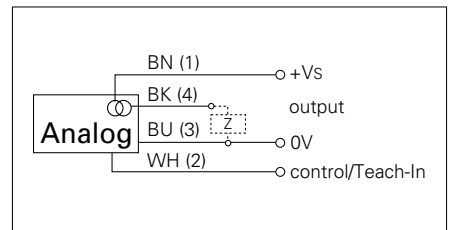
ambient conditions

operating temperature	0 ... +60 °C
protection class	IP 67

photo



connection diagram



UL.eps

Ultrasonic distance measuring sensors

UNCK 09U6914/KS35A

typical sonic cone profile

