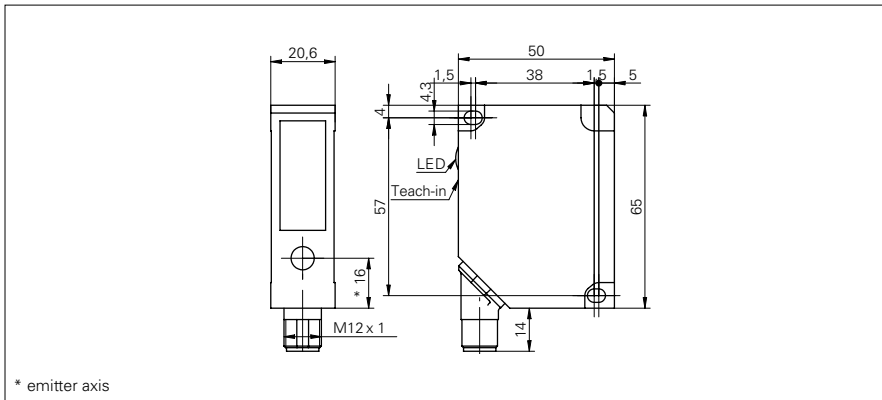


Distance sensors

OADM 20I6581/S14F

dimension drawing



general data

measuring distance Sd	200 ... 1000 mm
adjustment	Teach-in: button / external
Teach-in range min.	> 20 mm
power on indication	LED green
soiled lens indicator	LED red
resolution	0,12 ... 2,5 mm
linearity error	± 0,48 ... ± 10 mm
light source	pulsed red laser diode
wave length	650 nm
laser class	2
beam type	line
beam width	2,5 mm
beam height	8,5 ... 35 mm
temperature drift	< 0,06 % Sde/K

electrical data

response time / release time	< 0,9 ms
voltage supply range +Vs	12 ... 28 VDC
current consumption max. (no load)	100 mA
output circuit	analog
output signal	4 ... 20 mA / 0 ... 10 VDC
load resistance (analog I)	< (+Vs - 6 V) / 0,02 A
load resistance (analog U)	> 100 kOhm
output current	< 100 mA
alarm output	PNP
short circuit protection	yes
reverse polarity protection	yes, Vs to GND

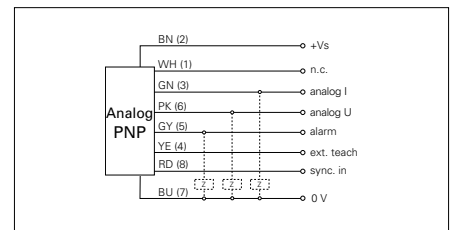
mechanical data

width / diameter	20,6 mm
height / length	65 mm
depth	50 mm
type	rectangular
housing material	die-cast zinc
front (optics)	glass
connection types	connector M12 8 pin, rotatable

photo



connection diagram



alignment of the laser line



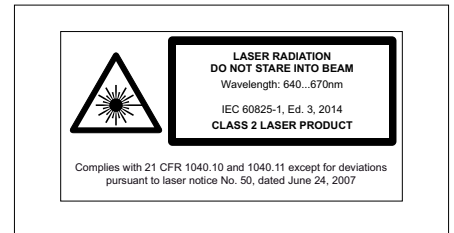
Distance sensors

OADM 20I6581/S14F

ambient conditions

ambient light immunity	< 5 kLux
operating temperature	0 ... +50 °C
protection class	IP 67

laser warning



The laser warning label consists of a triangular hazard symbol on the left and a rectangular text box on the right. The text box contains the following information: 'LASER RADIATION', 'DO NOT STARE INTO BEAM', 'Wavelength: 640...670nm', 'IEC 60825-1, Ed. 3, 2014', and 'CLASS 2 LASER PRODUCT'. Below the text box, there is a smaller line of text: 'Complies with 21 CFR 1040.10 and 1040.11 except for deviations pursuant to laser notice No. 50, dated June 24, 2007'.

