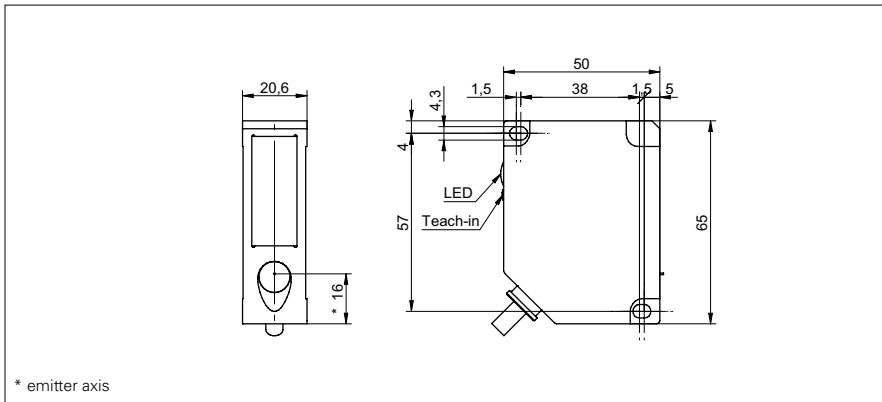


Distance sensors

OADM 2016593

dimension drawing



general data

measuring distance Sd	200 ... 1000 mm
adjustment	Teach-in: button / external
Teach-in range min.	> 20 mm
power on indication	LED green
soiled lens indicator	LED red
resolution	0,12 ... 3 mm
linearity error	± 0,36 ... ± 9 mm
light source	pulsed red laser diode
wave length	650 nm
laser class	2
beam type	line
beam width	3 ... 1 mm
beam height	8 ... 25 mm
temperature drift	< 0,04 % Sde/K

electrical data

response time / release time	< 3,5 ms
voltage supply range +Vs	12 ... 28 VDC
current consumption max. (no load)	100 mA
output signal	4 ... 20 mA / 0 ... 10 VDC
load resistance (analog I)	< (+Vs - 6 V) / 0,02 A
load resistance (analog U)	> 100 kOhm
output current	< 100 mA
alarm output	PNP
reverse polarity protection	yes, Vs to GND

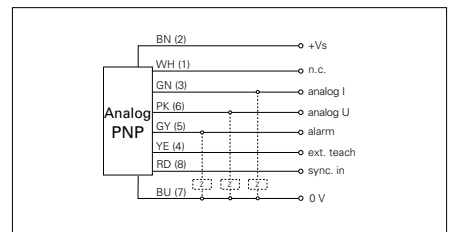
mechanical data

width / diameter	20,6 mm
height / length	65 mm
depth	50 mm
type	rectangular
housing material	die-cast zinc
front (optics)	glass
connection types	cable 8 pin, 2 m

photo



connection diagram



alignment of the laser line




Distance sensors

OADM 2016593

ambient conditions

ambient light immunity	< 60 kLux
operating temperature	-20 ... +60 °C
protection class	IP 67

laser warning



LASER RADIATION
DO NOT STARE INTO BEAM
Wavelength: 640...670nm
IEC 60825-1, Ed. 3, 2014
CLASS 2 LASER PRODUCT

Complies with 21 CFR 1040.10 and 1040.11 except for deviations pursuant to laser notice No. 50, dated June 24, 2007

