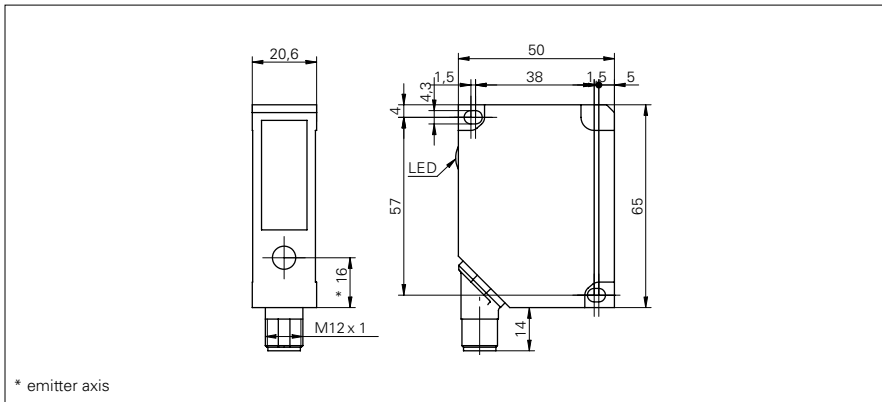


Distance sensors

OADM 20S4540/S14F

dimension drawing



general data

measuring distance Sd	30 ... 50 mm
adjustment	no
power on indication	LED green
soiled lens indicator	LED red
resolution	< 0,01 mm
linearity error	± 0,03 mm
light source	pulsed red laser diode
wave length	650 nm
laser class	2
beam type	line
beam width	1 ... 0,4 mm
beam height	2 mm
temperature drift	< 0,015 % Sde/K

electrical data

response time / release time	< 10 ms
voltage supply range +Vs	12 ... 28 VDC
current consumption max. (no load)	100 mA
output circuit	RS 485
baud rate	19200
output current	< 100 mA
alarm output	push-pull
short circuit protection	yes
reverse polarity protection	yes, Vs to GND

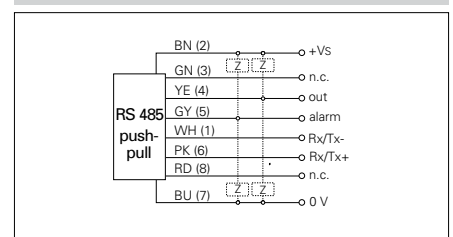
mechanical data

width / diameter	20,6 mm
height / length	65 mm
depth	50 mm
type	rectangular
housing material	die-cast zinc
front (optics)	glass
connection types	connector M12 8 pin, rotatable

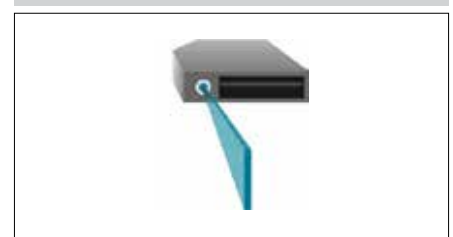
photo



connection diagram



alignment of the laser line




Distance sensors

OADM 20S4540/S14F

ambient conditions

ambient light immunity	< 10 kLux
operating temperature	0 ... +50 °C
protection class	IP 67

laser warning



LASER RADIATION
DO NOT STARE INTO BEAM
Wavelength: 620...690nm
Max. av. Output: < 1mW
IEC 60825-1, Ed. 2, 2007
CLASS 2 LASER PRODUCT

Complies with 21 CFR 1040.10 and 1040.11 except for deviations pursuant to laser notice No. 50, dated June 24, 2007

