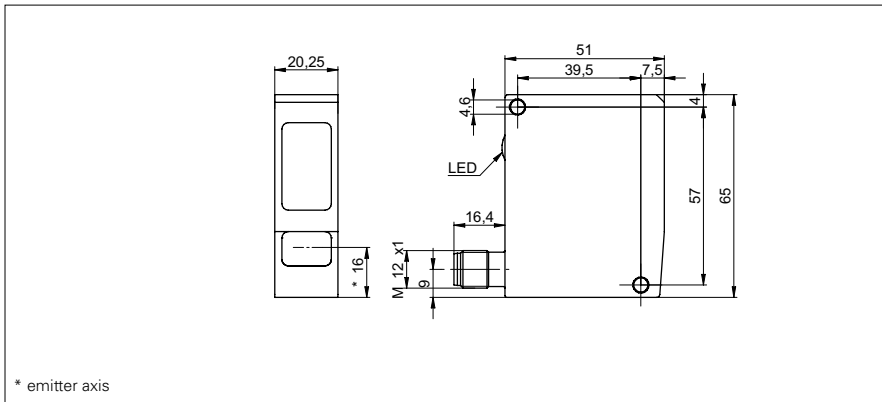


Distance sensors

OADR 20I6485/S14F

dimension drawing



general data

measuring distance Sd	100 ... 600 mm
special type	Washdown design
adjustment	external
Teach-in range min.	> 10 mm
power on indication	LED green
soiled lens indicator	LED red
resolution	0,015 ... 0,67 mm
linearity error	± 0,05 ... ± 2 mm
light source	pulsed red laser diode
wave length	650 nm
laser class	2
beam type	point
beam diameter	2 mm
temperature drift	< 0,03 % Sde/K
approvals/certificates	Ecolab

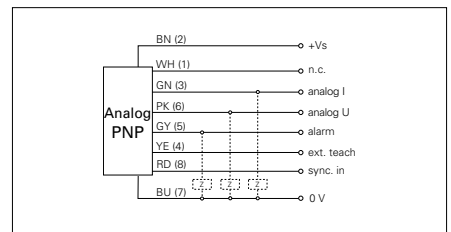
electrical data

response time / release time	< 0,9 ms
voltage supply range +Vs	12 ... 28 VDC
current consumption max. (no load)	100 mA
output circuit	analog
output signal	4 ... 20 mA / 0 ... 10 VDC
load resistance (analog I)	< (+Vs - 6 V) / 0,02 A
load resistance (analog U)	> 100 kOhm
output current	< 100 mA
alarm output	PNP
short circuit protection	yes
reverse polarity protection	yes, Vs to GND


photo



connection diagram



laser warning



LASER RADIATION
DO NOT STARE INTO BEAM
 Wavelength: 640...670nm
 IEC 60825-1, Ed. 3, 2014
CLASS 2 LASER PRODUCT

Complies with 21 CFR 1040.10 and 1040.11 except for deviations pursuant to laser notice No. 50, dated June 24, 2007

Distance sensors
OADR 20I6485/S14F
mechanical data

width / diameter	20,3 mm
height / length	65 mm
depth	51 mm
type	rectangular
housing material	stainless steel 1.4404 (V4A)
front (optics)	PMMA
connection types	connector M12 8 pin

ambient conditions

ambient light immunity	< 10 kLux
operating temperature	0 ... +50 °C
protection class	IP 69K & proTect+

proTect⁺


- Sensor FDA compliant and Ecolab approved
- sensitivity adjustable: via Teach-in wire input
- For objects with a reflectivity < 7 % (OADR 20I6x85/S14F) the response time/ release time is increased automatically up to 2.8 ms.