

Incremental encoders

Through hollow shaft up to $\varnothing 14$ mm

5...6000 pulses per revolution

GI331, GI333



GI331 with through hollow shaft

Technical data - electrical ratings

Voltage supply	5 VDC ± 10 % 4.75...30 VDC 10...30 VDC
Reverse polarity protection	Yes (4.75...30 VDC)
Consumption w/o load	≤ 30 mA (24 VDC) ≤ 60 mA (5 VDC)
Pulses per revolution	5...6000
Reference signal	Zero pulse, width 90°
Sensing method	Optical
Output frequency	≤ 150 kHz
Output signals	A 90° B, N + inverted
Output stages	Linedriver/RS422 Push-pull short-circuit proof
Interference immunity	DIN EN 61000-6-2
Emitted interference	DIN EN 61000-6-4
Approval	UL approval / E63076

Features

- Encoder with through hollow shaft up to $\varnothing 14$ mm
- Optical sensing method
- Max. 6000 pulses per revolution
- Mounting by thread pin or clamping ring
- Cost-efficient mounting

Optional

- Stainless steel design GE333

Technical data - mechanical design

Size (flange)	$\varnothing 58$ mm
Protection DIN EN 60529	IP 54, IP 65
Operating speed	≤ 6000 rpm
Starting torque	≤ 0.03 Nm (+25 $^\circ$ C, IP 54) ≤ 0.09 Nm (+25 $^\circ$ C, IP 65)
Rotor moment of inertia	14.5 gcm ²
Materials	Housing: aluminium Flange: aluminium
Operating temperature	-25...+100 $^\circ$ C (5 VDC) -25...+85 $^\circ$ C (24 VDC) -40...+85 $^\circ$ C (optional)
Relative humidity	95 % non-condensing
Resistance	DIN EN 60068-2-6 Vibration 10 g, 16-2000 Hz DIN EN 60068-2-27 Shock 200 g, 6 ms
Connection	Connector M23, 12-pin Cable 1 m
Weight approx.	250 g

GI331

Shaft type	$\varnothing 12$ mm (through hollow shaft)
------------	--

GI333

Shaft type	$\varnothing 12$ mm (through hollow shaft) $\varnothing 14$ mm (through hollow shaft)
------------	--

Incremental encoders

Through hollow shaft up to $\varnothing 14$ mm

5...6000 pulses per revolution

GI331, GI333

Part number

Hollow shaft with thread pins

GI331.

Pulse number - see table

Connection

- C3 Connector M23, 12-pin, radial
- 41 Cable 1 m, radial

Voltage supply / signals

- 22 5 VDC / linedriver RS422
- 70 4.75...30 VDC / push-pull
- 72 10...30 VDC / linedriver RS422 (5 VDC)

Through hollow shaft / torque pin

- 0 $\varnothing 12$ mm with 2 thread pins, pin 15 mm, IP 54
- 1 $\varnothing 12$ mm with 2 thread pins, pin 9.5 mm, IP 54
- A $\varnothing 12$ mm with 2 thread pins, without pin, IP 54

Hollow shaft with clamping ring

GI333.

Pulse number - see table

Connection

- C3 Connector M23, 12-pin, radial
- 41 Cable 1 m, radial

Voltage supply / signals

- 22 5 VDC / linedriver RS422
- 70 4.75...30 VDC / push-pull
- 72 10...30 VDC / linedriver RS422 (5 VDC)

Through hollow shaft / torque pin

- 0 $\varnothing 12$ mm, clamping ring on housing, pin 15 mm, IP 54
- 1 $\varnothing 12$ mm, clamping ring on housing, pin 9.5 mm, IP 54
- A $\varnothing 12$ mm, clamping ring on housing, without pin, IP 54
- G $\varnothing 12$ mm, clamping ring on housing, pin 15 mm, IP 65
- 4 $\varnothing 14$ mm, clamping ring on housing, pin 15 mm, IP 54
- 5 $\varnothing 14$ mm, clamping ring on housing, pin 9.5 mm, IP 54
- C $\varnothing 14$ mm, clamping ring on housing, without pin, IP 54

Part number (pulse number)

49 (5)	06 (200)	17 (600)	30 (2500)
36 (10)	09 (250)	19 (720)	47 (3000)
50 (25)	10 (256)	22 (1000)	31 (3600)
39 (50)	11 (300)	23 (1024)	34 (4096)
40 (60)	13 (360)	24 (1250)	35 (5000)
41 (100)	14 (400)	26 (1500)	48 (6000)
57 (128)	15 (500)	28 (2000)	
05 (180)	16 (512)	29 (2048)	

Other pulse numbers on request.

Example: part number 23 = 1024 pulses.

Accessories

Connectors and cables

10127371	Female connector M23, 12-pin, without cable (Z 141.001)
10166044	Female connector M23, 12-pin, 2 m cable (Z 141.003)
10124780	Female connector M23, 12-pin, 5 m cable (Z 141.005)
11034204	Female connector M23, 12-pin, 10 m cable (Z 141.007)

Mounting accessories

10157338	Spring coupling for encoders with $\varnothing 58$ mm housing (Z 119.023)
10140347	Torque support and spring washer for encoders with 9.5 mm pin (Z 119.024)
10139345	Torque support by rubber buffer for encoders with 15 mm pin (Z 119.041)

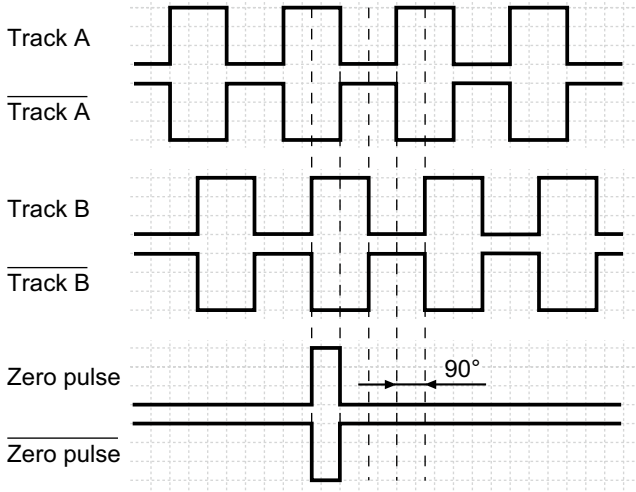
Incremental encoders

Through hollow shaft up to $\varnothing 14$ mm
5...6000 pulses per revolution

GI331, GI333

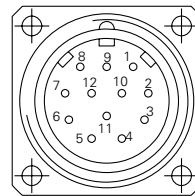
Output signals

Clockwise rotating direction when looking at flange.



Terminal assignment

Connector	Core colour	Assignment
Pin 1	pink	Track B inv.
Pin 2	blue	UB-Sense
Pin 3	red	Track N (zero pulse)
Pin 4	black	Track N inv. (zero pulse inv.)
Pin 5	brown	Track A
Pin 6	green	Track A inv.
Pin 7	–	–
Pin 8	grey	Track B
Pin 9	–	–
Pin 10	white/green	GND
Pin 11	white	GND-Sense
Pin 12	brown/green	UB



UB-Sense and GND-Sense are directly connected to UB resp. GND. Please use cores twisted in pairs (for example track A / track A inv.) for extension cables of more than 10 m length.

Trigger level

Outputs	Linedriver RS422
Output level High	>2.5 V (I = -20 mA)
Output level Low	<0.5 V (I = 20 mA)
Load High / Low	<20 mA

Outputs	Push-pull short-circuit proof
Output level High	>UB -3 V (I = -20 mA)
Output level Low	<0.5 V (I = 20 mA)
Load High / Low	<20 mA

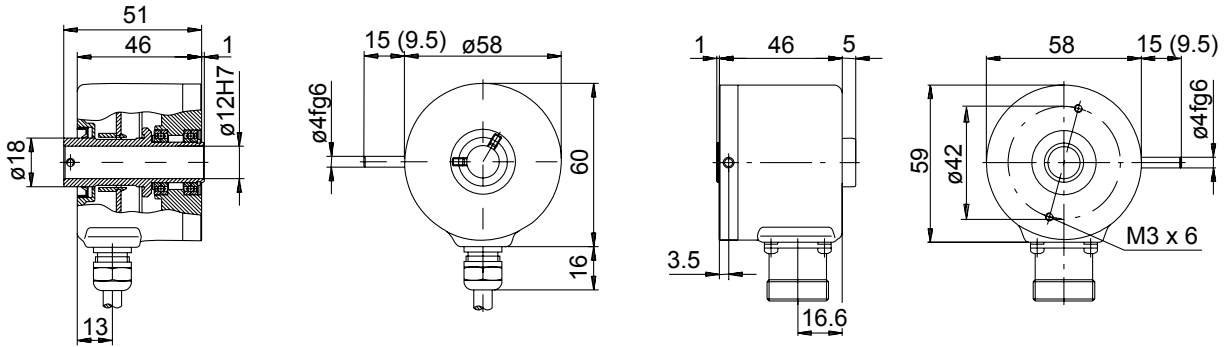
Incremental encoders

Through hollow shaft up to $\varnothing 14$ mm
5...6000 pulses per revolution

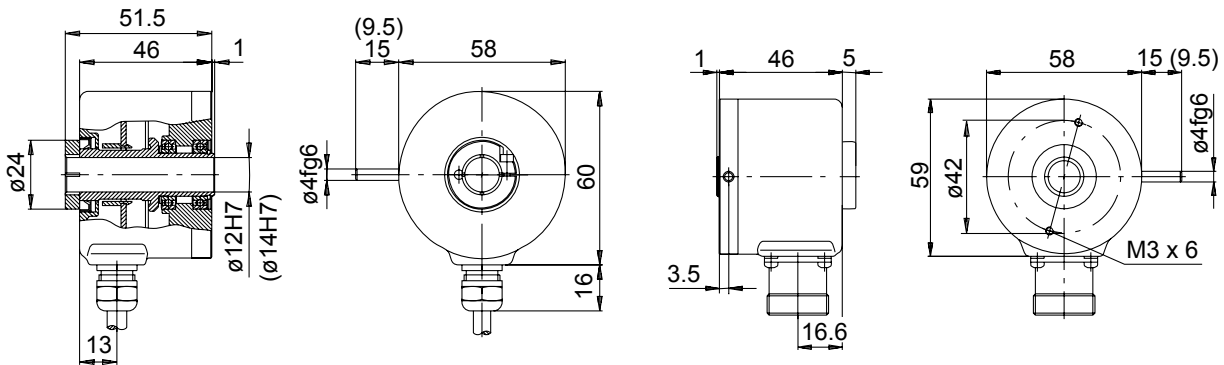
GI331, GI333

Dimensions

GI331 - through hollow shaft and pin



GI333 - hollow shaft and clamping ring on housing



GI331, GI333 - connector dimensions

