

Combination

Encoder with integrated electronic speed switch

Solid shaft with EURO flange B10

1024...10000 pulses per revolution

POG 90 + ESL



POG 90 + ESL

Features

- Max. 10000 pulses per revolution
- Electronic speed monitoring
- Circuit breaker with up to three selectable threshold speeds
- EURO-flange B10 / solid shaft \varnothing 11 mm
- Terminal boxes, turn by 180°

Technical data - electrical ratings

Interference immunity	EN 61000-6-2
Emitted interference	EN 61000-6-3

Technical data - electrical ratings (encoder)

Voltage supply	9...30 VDC; 5 VDC \pm 5 %
Consumption w/o load	\leq 100 mA
Pulses per revolution	1024...10000
Phase shift	90° \pm 8°
Scan ratio	44...56 %
Reference signal	Zero pulse, width 90°
Output frequency	\leq 250 kHz
Output signals	K1, K2, K0 + inverted
Output stages	HTL TTL/RS422
Sensing method	Optical

Technical data - electrical ratings (speed switches)

Switching accuracy	\pm 4 % (\leq 1500 rpm) \pm 2 % ($>$ 1500 rpm)
Switching hysteresis	\approx 30 % of switching speed
Switching delay time	\leq 40 ms

POG 90 + ESL 90

Switching outputs	1 output, speed control
Output switching capacity	\leq 6 A / 250 VAC; \leq 1 A / 48 VDC
Minimum switching current	100 mA

POG 90 + ESL 93

Voltage supply	12 VDC \pm 10 %
Consumption w/o load	\leq 5 mA
Switching outputs	3 outputs, speed control
Current each output	40 mA (DC)

Technical data - mechanical design

Size (flange)	\varnothing 115 mm
Shaft type	\varnothing 11 mm solid shaft
Admitted shaft load	\leq 250 N axial \leq 350 N radial
Flange	EURO flange B10
Protection DIN EN 60529	IP 66
Operating torque typ.	3 Ncm
Rotor moment of inertia	320 gcm ²
Materials	Housing: aluminium die-cast Shaft: stainless steel
Operating temperature	-20...+85 °C
Resistance	IEC 60068-2-6 Vibration 5 g, 10-2000 Hz IEC 60068-2-27 Shock 50 g, 11 ms
Corrosion protection	IEC 60068-2-52 Salt mist Complies to ISO 12944-5:1998 Protective paint systems (C4)
Connection	2x terminal box
Weight approx.	2.6 kg
Approval	CE

POG 90 + ESL 90

Operating speed	\leq 6000 rpm
Range of switching speed (ns)	650...6000 rpm

POG 90 + ESL 93

Operating speed	\leq 5000 rpm
Range of switching speed (ns)	200...5000 rpm

Combination

Encoder with integrated electronic speed switch

Solid shaft with EURO flange B10

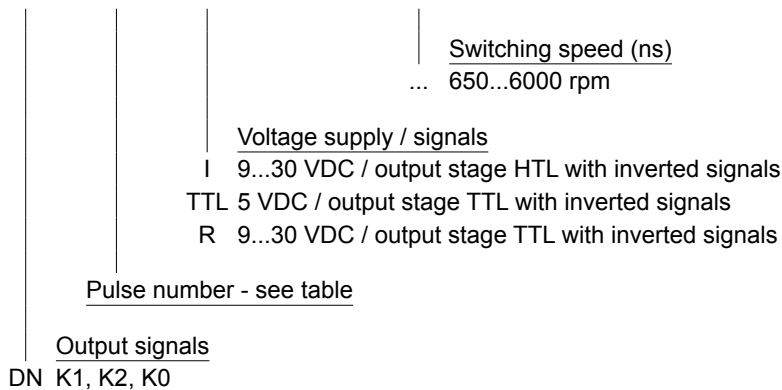
1024...10000 pulses per revolution

POG 90 + ESL

Part number

Encoder with speed switch ESL 90

POG90 DN + ESL90 ...



Pulse number

1024	2048	3072	4096	10000
2000	2500	3600	5000	

Other pulse numbers on request.

* Please specify the exact switching speed in addition to the part number (factory setted threshold).

Accessories

Connectors and cables

HEK 8 Sensor cable for encoders

Mounting accessories

K 35 Spring washer coupling
for solid shaft $\varnothing 6...12$ mm

K 50 Spring washer coupling
for solid shaft $\varnothing 11...16$ mm

K 60 Spring washer coupling
for solid shaft $\varnothing 11...22$ mm

Diagnostic accessories

HENQ 1100 Analyzer for encoders

Relay module for POG 90 + ESL 93

ES 93 R Relay modul

Combination

Encoder with integrated electronic speed switch

Solid shaft with EURO flange B10

1024...10000 pulses per revolution

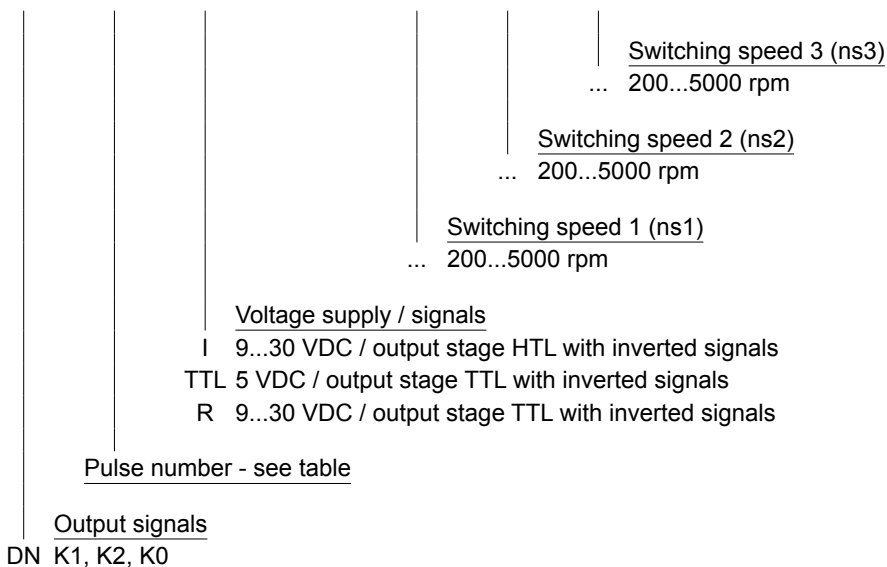
POG 90 + ESL

Part number

Encoder with speed switch ESL 93

POG90

DN					+ ESL93
----	--	--	--	--	---------	-----	-----	-----



Pulse number

1024	2048	3072	4096	10000
2000	2500	3600	5000	

Other pulse numbers on request.
 Please indicate the exact switching rotation speeds
 (permanent parameter defined at works).

Combination

Encoder with integrated electronic speed switch

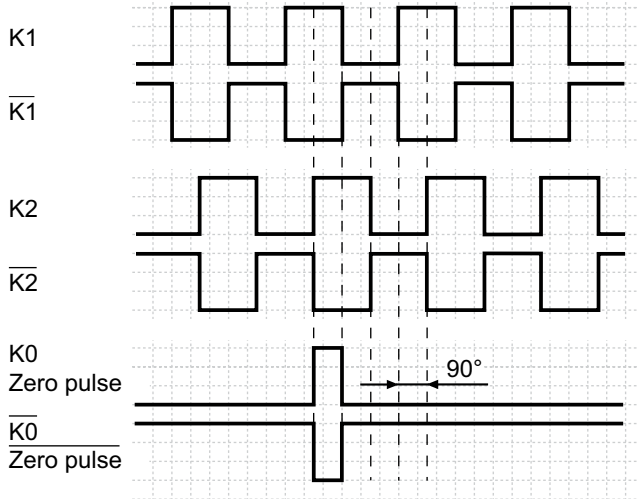
Solid shaft with EURO flange B10

1024...10000 pulses per revolution

POG 90 + ESL

Output signals

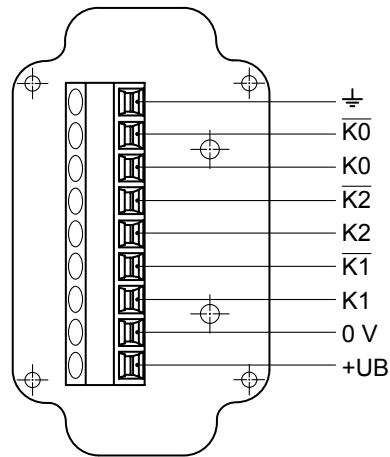
At positive rotating direction



Terminal assignment

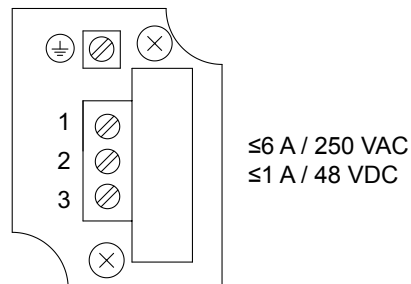
View A

Connecting terminal in terminal box POG 90



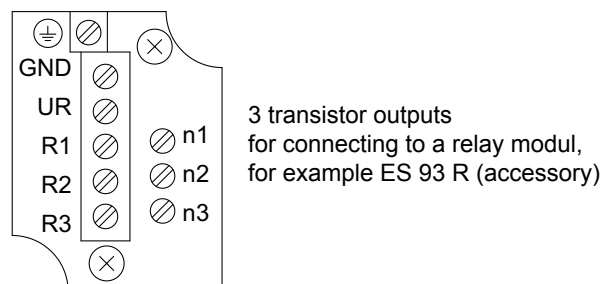
View B

Connecting terminal electronic speed switch ESL 90



View B

Connecting terminal electronic speed switch ESL 93



Combination

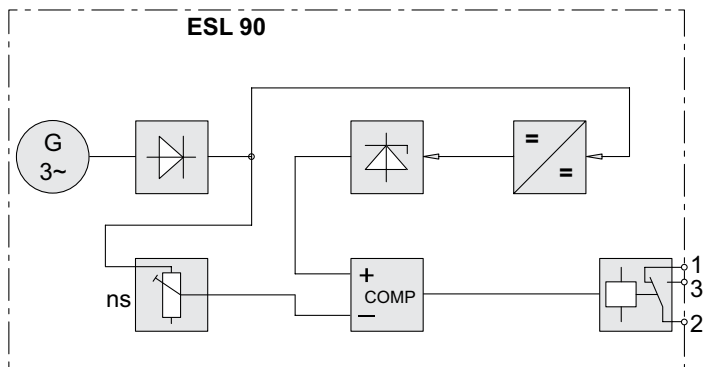
Encoder with integrated electronic speed switch

Solid shaft with EURO flange B10

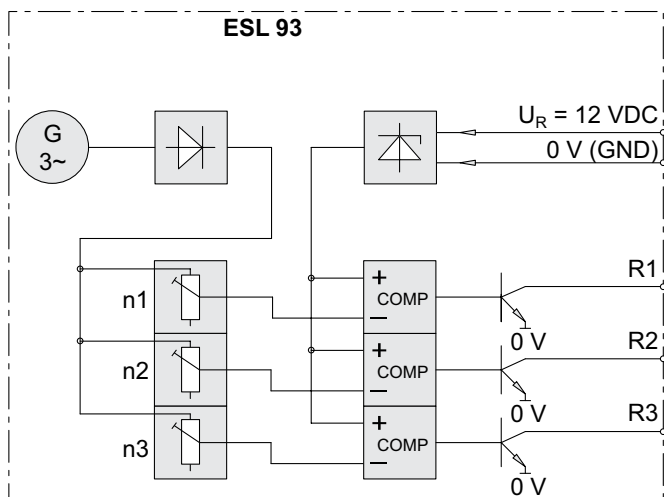
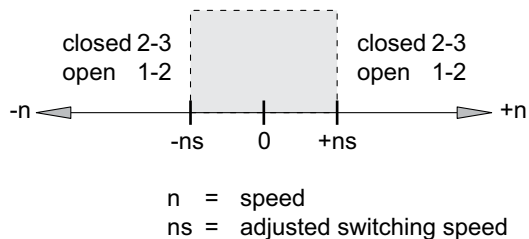
1024...10000 pulses per revolution

POG 90 + ESL

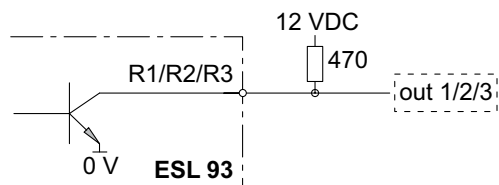
Block circuit diagram



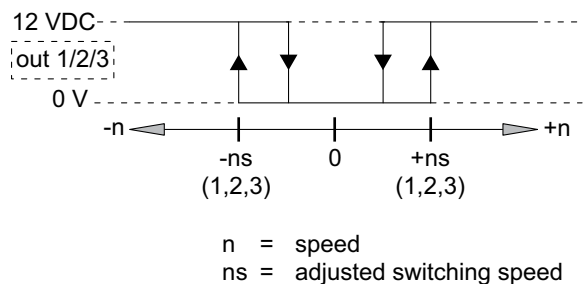
Switching characteristics



Recommended output circuit



Switching characteristics



Combination

Encoder with integrated electronic speed switch

Solid shaft with EURO flange B10

1024...10000 pulses per revolution

POG 90 + ESL

Dimensions

