

Combination

Twin encoder with two electrically separated systems

Blind hollow shaft or cone shaft

300...5000 pulses per revolution

HOG 9 G



HOG 9 G

Technical data - electrical ratings

Voltage supply	5 VDC \pm 5 % 9...30 VDC
Consumption w/o load	\leq 100 mA
Pulses per revolution	300...5000
Phase shift	90° \pm 20°
Scan ratio	40...60 %
Reference signal	Zero pulse, width 90°
Output frequency	\leq 120 kHz \leq 300 kHz (on request)
Output signals	K1, K2, K0 + inverted Error output (only EMS)
Output stages	HTL-P (power linedriver) TTL/RS422
Sensing method	Optical
Interference immunity	EN 61000-6-2
Emitted interference	EN 61000-6-3
Approvals	CE, UL approval / E256710

Features

- Twin encoder featuring two separate systems
- TTL output driver for cable length up to 500 m
- Hybrid bearing for extended lifetime

Optional

- Function control with EMS
(Enhanced Monitoring System)

Technical data - mechanical design

Size (flange)	\varnothing 97 mm
Shaft type	\varnothing 16 mm (blind hollow shaft) \varnothing 17 mm (cone shaft 1:10)
Admitted shaft load	\leq 400 N axial \leq 500 N radial
Protection DIN EN 60529	IP 56
Operating speed	\leq 10000 rpm (mechanical)
Operating torque typ.	6 Ncm
Rotor moment of inertia	160 gcm ²
Materials	Housing: aluminium die-cast Shaft: stainless steel
Operating temperature	-30...+100 °C -25...+100 °C (>3072 pulses per revolution)
Resistance	IEC 60068-2-6 Vibration 17 g, 10-2000 Hz IEC 60068-2-27 Shock 275 g, 6 ms
Corrosion protection	IEC 60068-2-52 Salt mist Complies to ISO 12944-5:1998 Protective paint systems (C4)
Explosion protection	II 3 G Ex nA IIC T4 Gc (gas) II 3 D Ex tc IIIB T135°C Dc (dust)
Connection	2x flange connector M23, 12-pin
Weight approx.	1.1 kg

Combination

Twin encoder with two electrically separated systems

Blind hollow shaft or cone shaft

300...5000 pulses per revolution

HOG 9 G

Part number

Incremental twin encoder

HOG9

	G	DN					/	DN				
--	---	----	--	--	--	--	---	----	--	--	--	--

Shaft diameter
16H7 Blind hollow shaft ø16 mm
17K Cone shaft ø17 mm (1:10)

Voltage supply / signals
I 9...30 VDC / output stage HTL with inverted signals
TTL 5 VDC / output stage TTL with inverted signals
R 9...30 VDC / output stage TTL with inverted signals

Pulse number - see table

Output signals
DN K1, K2, K0

Voltage supply / signals
I 9...30 VDC / output stage HTL with inverted signals
TTL 5 VDC / output stage TTL with inverted signals
R 9...30 VDC / output stage TTL with inverted signals

Pulse number - see table

Output signals
DN K1, K2, K0

EMS - Enhanced Monitoring System

Without EMS

.2 With EMS

Pulse number

300	1000	2048	4096
500	1024	2500	5000
512	1200	3072	

Other pulse numbers on request.

Combination

Twin encoder with two electrically separated systems

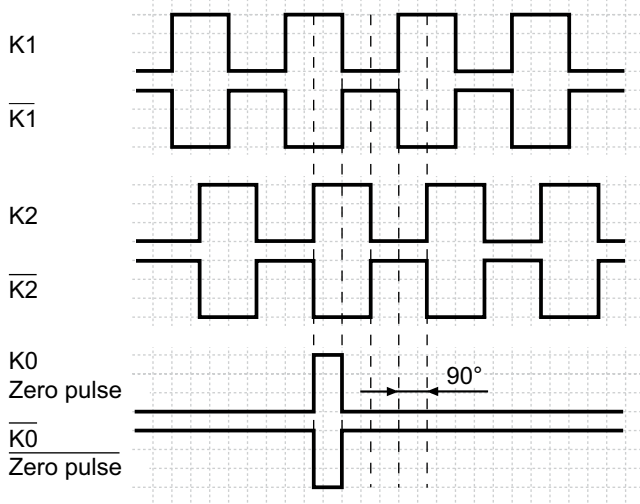
Blind hollow shaft or cone shaft

300...5000 pulses per revolution

HOG 9 G

Output signals

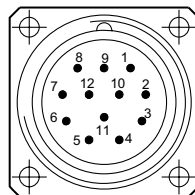
At positive rotating direction



Terminal assignment

View A - Flange connector M23, 12 pin, male contacts, CW

Pin	Assignment
1	$\overline{K2}$ (K2 inv.)
2	Do not use
3	K0 (Zero pulse)
4	$\overline{K0}$ (Zero pulse inv.)
5	K1
6	$\overline{K1}$ (K1 inv.)
7	Do not use (Option EMS: Err)
8	K2
9	Do not use (Option EMS: 0 V)
10	0 V
11	Do not use
12	+UB



Accessories

Connectors and cables

HEK 8	Sensor cable for encoders
11068577	Mating connector M23, solder version, 12-pin, CCW

Mounting accessories

DMS 6	Torque arm size M6
11081744	Mounting and dismounting kit for blind hollow shaft
11084868	Mounting and dismounting kit for cone shaft

Diagnostic accessories

HENQ 1100	Analyzer for encoders
-----------	-----------------------

Option EMS: LED status / Error output

Flash light red*	Error of signal sequence, zero pulse or pulses (Error output = HIGH-LOW alternation)
Red	Overload output transistors (Error output = LOW)
Flash light green	Encoder o.k., rotating (Error output = HIGH)
Green	Encoder o.k., stopped (Error output = HIGH)
No light	No output voltage connection or wrong connection (Error output = LOW)

* Only at rotating encoder

Combination

Twin encoder with two electrically separated systems

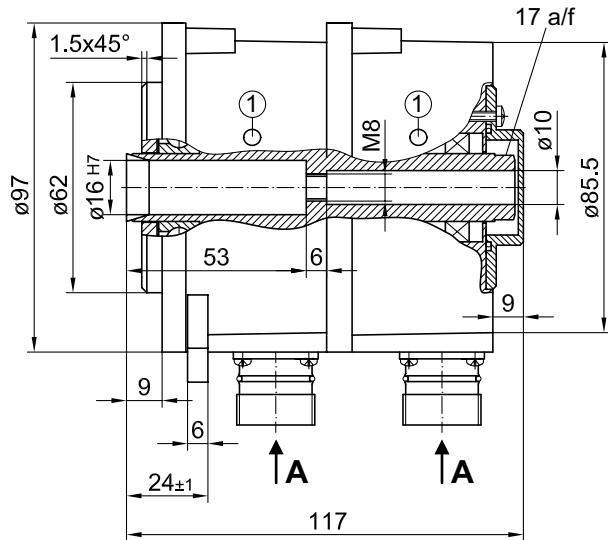
Blind hollow shaft or cone shaft

300...5000 pulses per revolution

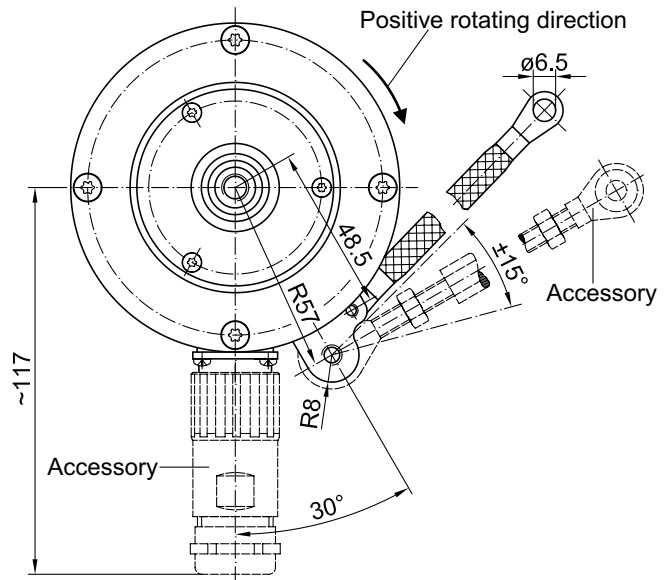
HOG 9 G

Dimensions

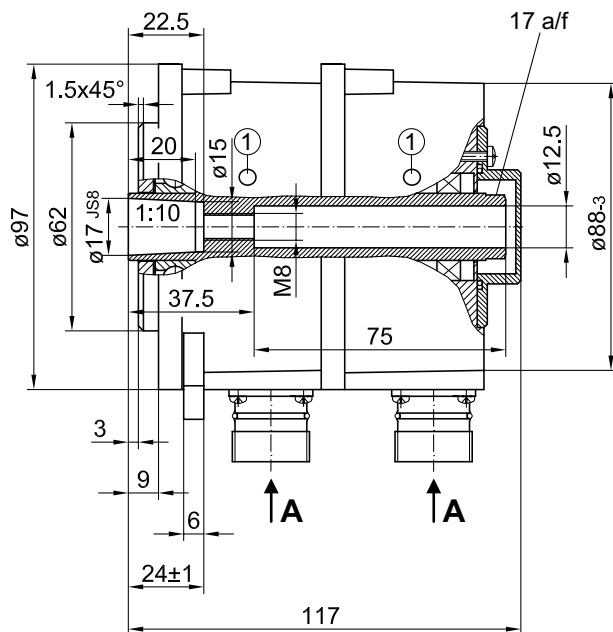
HOG 9 G (HOG 9.2 G) - Version with blind hollow shaft



① Status LED (option EMS)



HOG 9 G (HOG 9.2 G) - Version with cone shaft



① Status LED (option EMS)

