

Incremental encoders

Solid shaft $\varnothing 10$ mm with clamping flange

1000...6000 pulses per revolution

ITD 21 B14 Y11



ITD 21 B14 Y11 with clamping flange

Technical data - electrical ratings

Voltage supply	5 VDC ± 5 % 8...30 VDC
Reverse polarity protection	Yes
Consumption w/o load	≤ 100 mA
Pulses per revolution	1000...6000
Reference signal	Zero pulse, width 90°
Sensing method	Optical
Output frequency	≤ 300 kHz (TTL) ≤ 160 kHz (HTL)
Output signals	A, B, N + inverted
Output stage	TTL linedriver (short-circuit proof) HTL push-pull (short-circuit proof)
Interference immunity	DIN EN 61000-6-2
Emitted interference	DIN EN 61000-6-3

Features

- Encoder with solid shaft $\varnothing 10$ mm
- Max. 6000 pulses per revolution
- Optical sensing
- Centering alignment $\varnothing 36$ mm, mounting screw hole circle $\varnothing 48$ mm
- Industrial standard
- TTL or HTL output signals
- Flange socket radial

Optional

- Extended operating temperature range

Technical data - mechanical design

Size (flange)	$\varnothing 58$ mm
Shaft type	$\varnothing 10$ mm solid shaft (clamping flange)
Shaft loading	≤ 40 N axial ≤ 60 N radial
Flange	Clamping flange
Protection DIN EN 60529	IP 65
Operating speed	≤ 12000 rpm
Starting torque	≤ 0.01 Nm (+20 °C)
Materials	Housing: aluminium, black, powder-coated Shaft: stainless steel
Operating temperature	-20...+70 °C -20...+100 °C
Relative humidity	90 % non-condensing
Resistance	DIN EN 60068-2-6 Vibration 10 g, 55-2000 Hz DIN EN 60068-2-27 Shock 30 g, 11 ms
Connection	Connector M23 type 2, 12-pin
Weight approx.	270 g

Incremental encoders

Solid shaft ø10 mm with clamping flange
1000...6000 pulses per revolution

ITD 21 B14 Y11

Part number

ITD 21 B14 Y11 NI D2SR12 10 IP65

Protection
IP65 IP 65

Flange / Solid shaft
10 Clamping flange / ø10 mm

Operating temperature
S -20...+70 °C
E -20...+100 °C

Connection
D2SR12 Flange socket type 2, pin contacts, radial, 12-pin

Output signals
NI A, A inv, B, B inv, 0, 0 inv

Voltage supply / signals
T 5 VDC / TTL level, linedriver
H 8...30 VDC / HTL level, push pull
R 8...30 VDC / TTL level, linedriver

Pulse number - see table

Pulse number

1000	1440	2048	4000
1024	1500	2500	4096
1200	1800	3000	5000
1250	2000	3600	6000

Accessories

Connectors and cables

11072792 Connector S2BG12, 1 m cable (ITD)

Incremental encoders

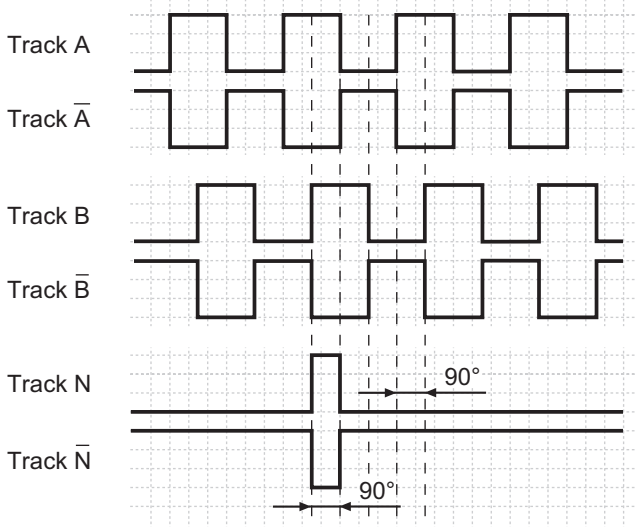
Solid shaft $\varnothing 10$ mm with clamping flange
1000...6000 pulses per revolution

ITD 21 B14 Y11

Output signals

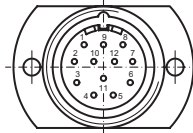
Clockwise rotation when looking at the mounting side.

NI-Output signals



Terminal assignment

Connector	Assignment
Pin 5	Track A
Pin 6	Track A inv.
Pin 8	Track B
Pin 1	Track B inv.
Pin 3	Track N
Pin 4	Track N inv.
Pin 12	UB
Pin 10	GND
Pin 2	UB-Sense
Pin 11	GND-Sense
Pin 9	–
Pin 7	–

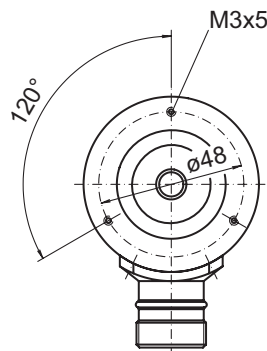
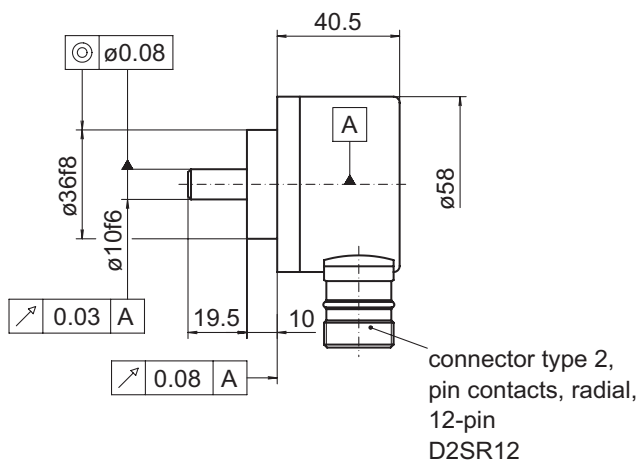


Trigger level

Outputs	Linedriver
Output level High	≥ 2.4 V
Output level Low	≤ 0.5 V
Load	≤ 70 mA

Outputs	Push-pull short-circuit proof
Output level High	$\geq UB - 3$ V
Output level Low	≤ 1.5 V
Load	≤ 70 mA

Dimensions



027- 4 Y11

Incremental encoders
Solid shaft \varnothing 10 mm with clamping flange
1000...6000 pulses per revolution

ITD 21 B14 Y11
