

Sine encoders

Blind hollow shaft $\varnothing 10$ to $\varnothing 14$ mm

1024...2048 sinewave cycles per turn

ITD 22 A 4 Y36



ITD 22 A 4 Y36 with blind hollow shaft

Technical data - electrical ratings

Voltage supply	5 VDC ± 10 % 8...30 VDC
Reverse polarity protection	Yes
Consumption w/o load	≤ 90 mA
Sinewave cycles per turn	1024...2048
Sensing method	Optical
Output frequency	≤ 180 kHz (-3 dB)
Output signals	A, B, 0
Output stages	SinCos 1 Vpp

Features

- Encoder with blind hollow shaft $\varnothing 10$...14 mm
- Up to 2048 sinewaves cycles per turn
- Sine output signals 1 Vpp
- Mounting by torque support
- Compact design
- Cable output radial

Optional

- Cable with connector

Technical data - mechanical design

Size (flange)	$\varnothing 58$ mm
Shaft type	$\varnothing 10$ mm (blind hollow shaft) $\varnothing 12$ mm (blind hollow shaft) $\varnothing 14$ mm (blind hollow shaft)
Motor shaft tolerance	± 0.25 mm axial ± 0.1 mm radial
Mounting kit	006
Protection DIN EN 60529	IP 65
Operating speed	≤ 8000 rpm
Starting torque	≤ 0.01 Nm (+20 °C)
Materials	Housing: aluminium, black, powder-coated Shaft: stainless steel
Operating temperature	-20...+85 °C
Relative humidity	90 % non-condensing
Resistance	DIN EN 60068-2-6 Vibration 10 g, 55-2000 Hz DIN EN 60068-2-27 Shock 30 g, 11 ms
Connection	Cable 1 m
Weight approx.	280 g

Sine encoders

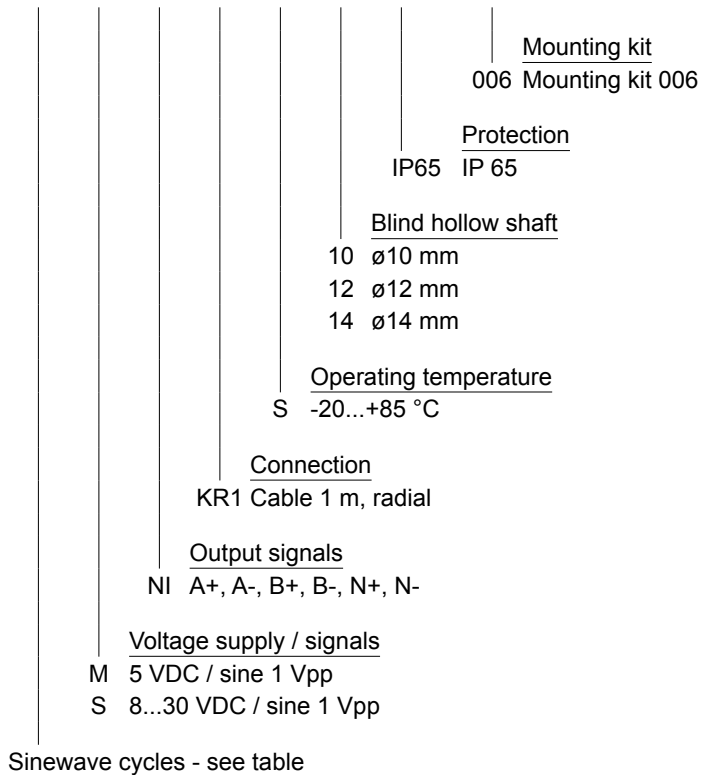
Blind hollow shaft $\varnothing 10$ to $\varnothing 14$ mm
1024...2048 sinewave cycles per turn

ITD 22 A 4 Y36

Part number

ITD 22 A 4 Y36

		NI	KR1	S		IP65	006
--	--	----	-----	---	--	------	-----



Sinewave cycles

1024 | 2048

Sine encoders

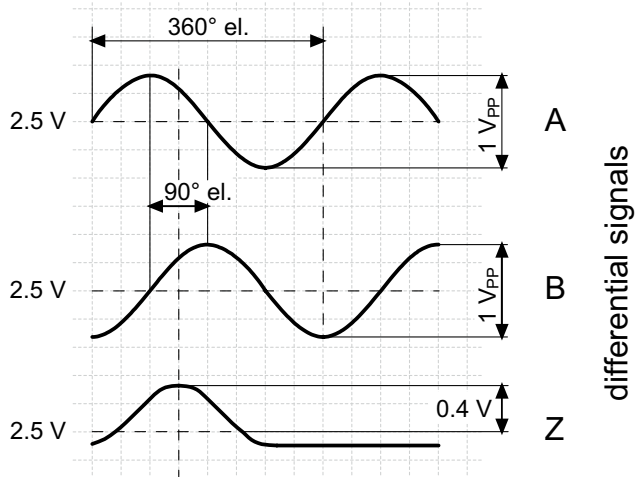
Blind hollow shaft $\varnothing 10$ to $\varnothing 14$ mm

1024...2048 sinewave cycles per turn

ITD 22 A 4 Y36

Output signals

Clockwise rotation when looking at the mounting side.



Terminal assignment

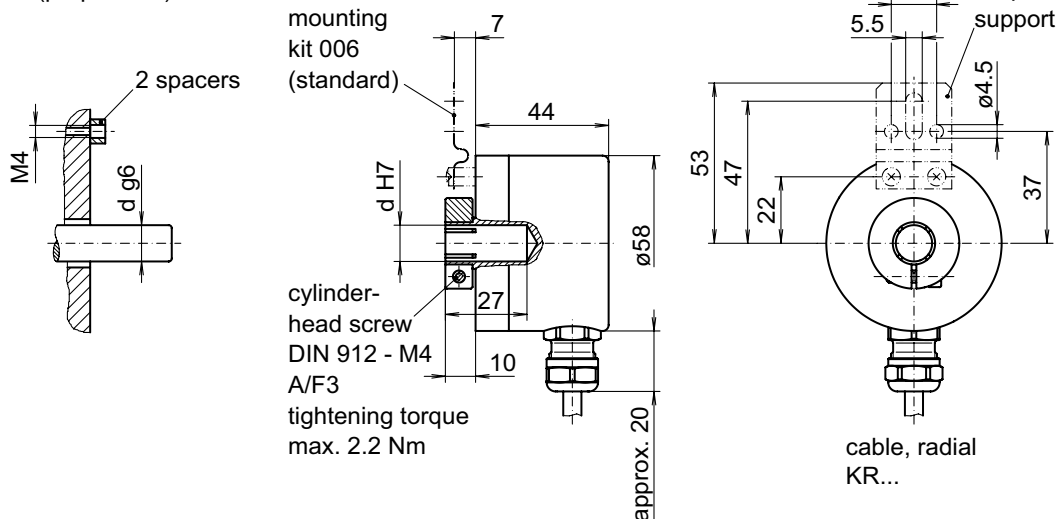
Core colour	Assignment
brown	Track A +
green	Track A -
grey	Track B +
pink	Track B -
red	Track N +
black	Track N -
brown 0,5 mm ²	UB
white 0,5 mm ²	GND
blue	UB-Sense
white	GND-Sense
transparent	Shield/Housing

Output signal level

Outputs	Sine
Output amplitude A + B	1 V _{PP} at Z ₀ = 120 Ω
Output amplitude N	approx. 0,4 V (useable part) at Z ₀ = 120 Ω

Dimensions

mounting side
(proposition)



029- 1 Y36

Sine encoders

Blind hollow shaft $\varnothing 10$ to $\varnothing 14$ mm
1024...2048 sinewave cycles per turn

ITD 22 A 4 Y36
