

Incremental encoders

Through hollow shaft $\varnothing 9$ to $\varnothing 14$ mm
1...32 pulses per revolution

ITD 27 A 4 Y15



ITD 27 A 4 Y15 with through hollow shaft

Features

- Encoder with through hollow shaft $\varnothing 9...14$ mm
- Max. 32 pulses per revolution
- Magnetic sensing
- HTL output signals
- Cable output radial

Optional

- Cable with connector

Technical data - electrical ratings

Voltage supply	8...26 VDC
Reverse polarity protection	Yes
Consumption w/o load	≤ 20 mA
Pulses per revolution	1...32
Sensing method	Magnetic
Output signals	A 90° B
Output stages	Push-pull short-circuit proof
Interference immunity	DIN EN 61000-6-2
Emitted interference	DIN EN 61000-6-3

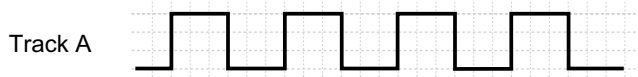
Technical data - mechanical design

Size (flange)	$\varnothing 58$ mm
Shaft type	$\varnothing 9...14$ mm (through hollow shaft)
Motor shaft tolerance	0.25 mm axial 0.1 mm radial
Mounting kit	017
Protection DIN EN 60529	IP 65
Operating speed	≤ 6000 rpm
Materials	Housing: aluminium Shaft: stainless steel
Operating temperature	-20...+85 °C
Relative humidity	90 % non-condensing
Resistance	DIN EN 60068-2-6 Vibration 10 g, 55-2000 Hz DIN EN 60068-2-27 Shock 100 g, 11 ms
Connection	Cable 1 m
Weight approx.	220 g

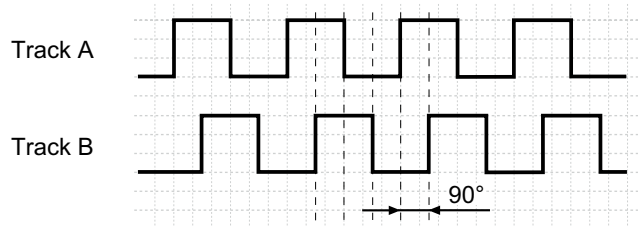
Output signals

Clockwise rotation when looking at the mounting side.

AX-Output signals



BX-Output signals



Terminal assignment

Core colour	Assignment
green	Track A
grey	Track B
brown	UB
white	GND
transparent	Shield/Housing

Incremental encoders

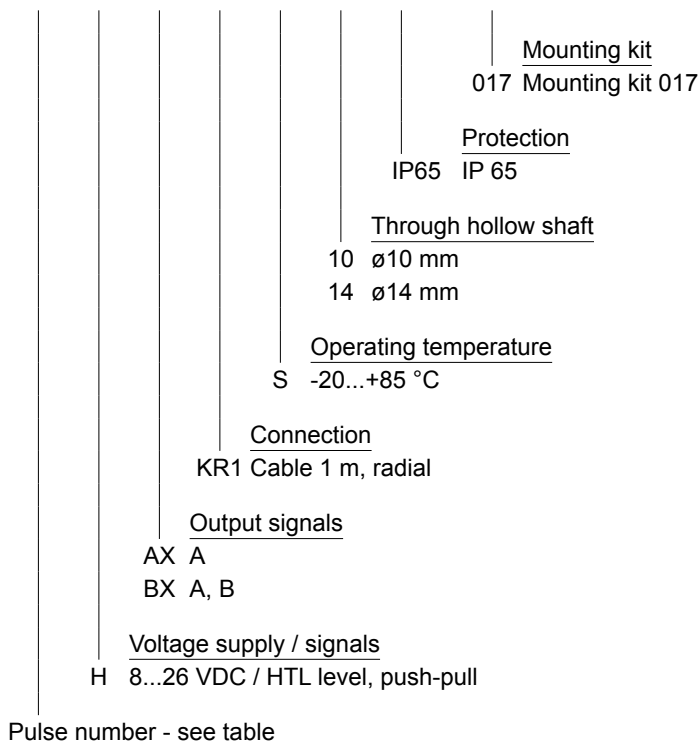
Through hollow shaft $\varnothing 9$ to $\varnothing 14$ mm
1...32 pulses per revolution

ITD 27 A 4 Y15

Part number

ITD 27 A 4 Y15

	H		KR1	S		IP65	017
--	---	--	-----	---	--	------	-----

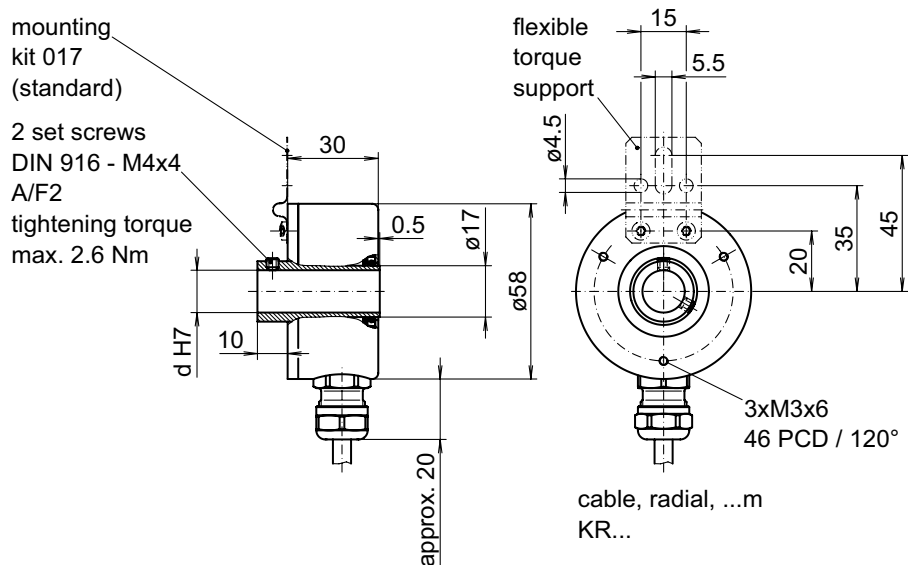


Pulse number

1	8	20
4	16	32

Other diameters on request.

Dimensions



028-12 Y15