

# Incremental encoders

## Solid shaft $\varnothing 11$ mm with EURO flange

### 200...2048 pulses per revolution

#### ITD 40 B10 Y 5



ITD 40 B10 Y 5 with EURO flange

#### Technical data - electrical ratings

Voltage supply	5 VDC $\pm 5\%$ 8...30 VDC
Reverse polarity protection	Yes
Consumption w/o load	$\leq 100$ mA
Pulses per revolution	200...2048
Reference signal	Zero pulse, width $90^\circ$
Sensing method	Optical
Output frequency	$\leq 120$ kHz
Output signals	A, B, N + inverted
Output stages	TTL linedriver (short-circuit proof) HTL push-pull (short-circuit proof)
Interference immunity	DIN EN 61000-6-2
Emitted interference	DIN EN 61000-6-3

#### Features

- Encoder with solid shaft  $\varnothing 11$  mm
- Max. 2048 pulses per revolution
- Optical sensing method
- Centering alignment  $\varnothing 85$  mm, mounting screw hole circle  $\varnothing 100$  mm
- Industrial standard with centering flange
- TTL or HTL output signals
- Terminal box axial, screw connection radial

#### Optional

- Extended operating temperature range

#### Technical data - mechanical design

Size (flange)	$\varnothing 82$ mm
Shaft type	$\varnothing 11$ mm solid shaft
Shaft loading	$\leq 60$ N axial $\leq 100$ N radial
Flange	EURO flange B10
Protection DIN EN 60529	IP 65
Operating speed	$\leq 8000$ rpm
Starting torque	$\leq 0.015$ Nm ( $+20^\circ\text{C}$ )
Materials	Housing: aluminium Shaft: stainless steel
Operating temperature	$-20...+70^\circ\text{C}$ $-20...+100^\circ\text{C}$
Relative humidity	90 % non-condensing
Resistance	DIN EN 60068-2-6 Vibration 10 g, 55-2000 Hz DIN EN 60068-2-27 Shock 100 g, 11 ms
Connection	Terminal box, 12-pin, M16x1.5 connection, radial
Weight approx.	1150 g

# Incremental encoders

Solid shaft  $\varnothing 11$  mm with EURO flange  
200...2048 pulses per revolution

ITD 40 B10 Y 5

## Part number

ITD 40 B10 Y 5 

			VR16		11	IP65
--	--	--	------	--	----	------

Protection

IP65 IP 65

Flange / Solid shaft

11 EURO flange B10 /  $\varnothing 11$  mm

Operating temperature

S -20...+70 °C

E -20...+100 °C

Connection

VR16 Terminal box, axial, 12-pin, M16x1.5 connection, radial

Output signals

BI A, A inv, B, B inv

NI A, A inv, B, B inv, 0, 0 inv

Voltage supply / signals

T 5 VDC / TTL level, linedriver

H 8...30 VDC / HTL level, push-pull

R 8...30 VDC / TTL level, linedriver

Pulse number - see table

## Pulse number

200	500	720	1024
360	512	1000	2048

# Incremental encoders

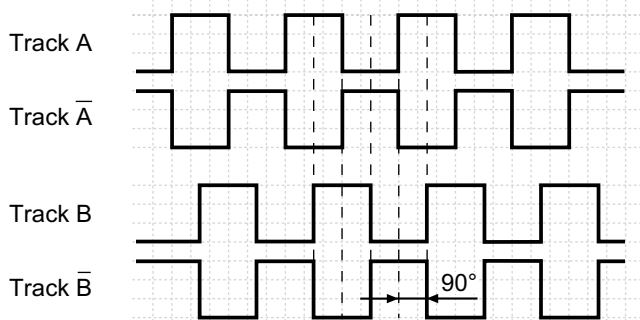
Solid shaft  $\varnothing 11$  mm with EURO flange  
200...2048 pulses per revolution

## ITD 40 B10 Y 5

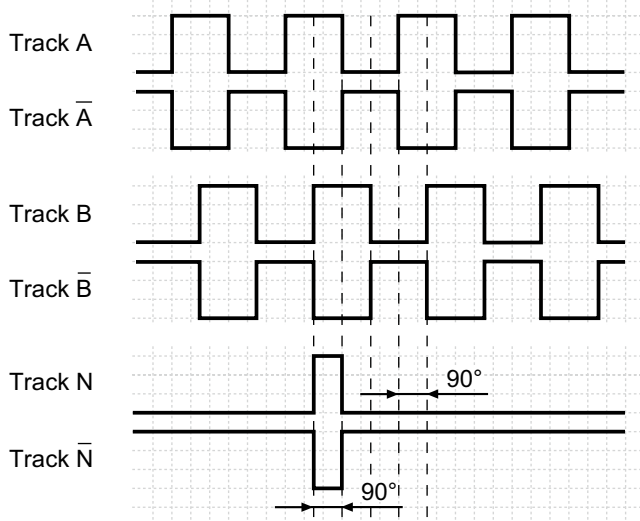
### Output signals

Clockwise rotation when looking at the mounting side.

#### BI-Output signals



#### NI-Output signals



### Terminal assignment

Terminal	Assignment
Pin 3	Track A
Pin 4	Track A inv.
Pin 5	Track B
Pin 6	Track B inv.
Pin 7	Track N
Pin 8	Track N inv.
Pin 2	UB
Pin 1	GND
Pin 9	UB-Sense
Pin 10	GND-Sense
Pin 11	NC
Pin 12	Shield/Housing

### Trigger level

Outputs	Linedriver
Output level High	$\geq 2.4$ V
Output level Low	$\leq 0.5$ V
Load	$\leq 70$ mA

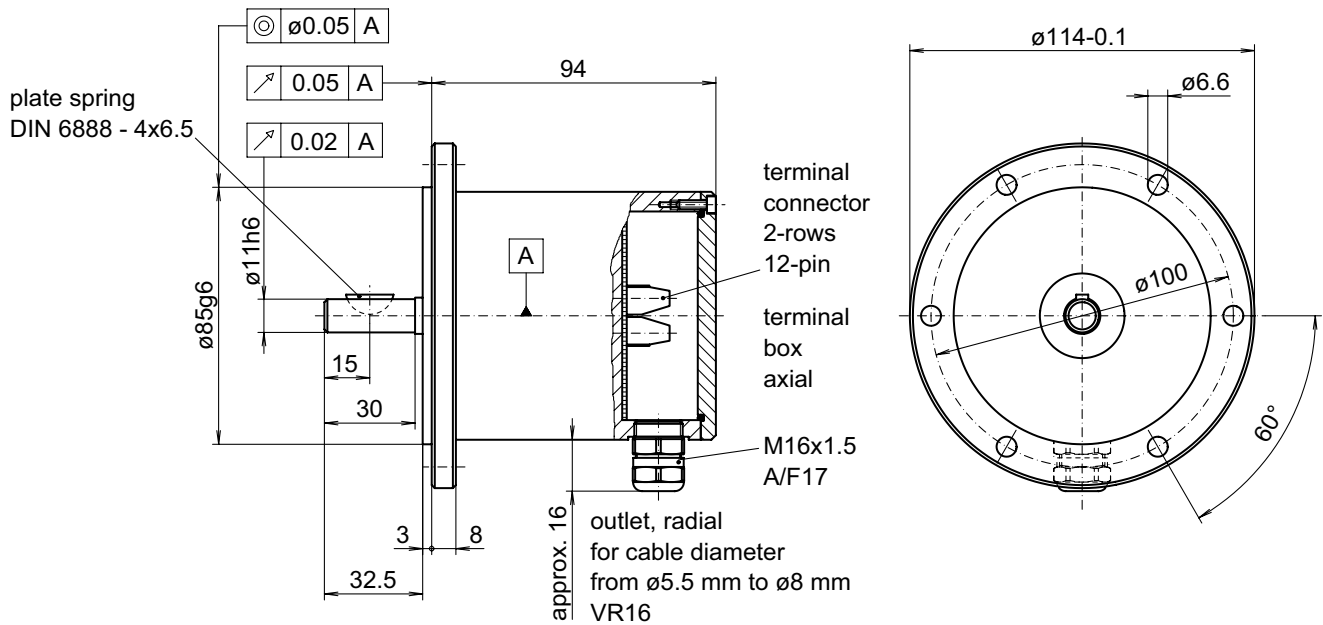
Outputs	Push-pull short-circuit proof
Output level High	$\geq UB - 3$ V
Output level Low	$\leq 1.5$ V
Load	$\leq 70$ mA

# Incremental encoders

Solid shaft  $\varnothing 11$  mm with EURO flange  
200...2048 pulses per revolution

ITD 40 B10 Y 5

## Dimensions



025- 7 Y 5