

# Incremental encoders

## Solid shaft with EURO flange B10

### 25...5000 pulses per revolution

OG 9



OG 9

#### Features

- Encoder with solid shaft  $\varnothing 11$  mm
- Optical sensing method
- EURO flange B10
- Output stage HTL with power linedriver
- Output stage TTL with regulator UB 9...26 VDC
- Operating temperature up to +100 °C

#### Technical data - electrical ratings

Voltage supply	9...30 VDC 5 VDC $\pm 5$ % 9...26 VDC
Consumption w/o load	$\leq 100$ mA
Pulses per revolution	25...5000
Phase shift	$90^\circ \pm 20^\circ$
Scan ratio	40...60 %
Reference signal	Zero pulse, width $90^\circ$
Sensing method	Optical
Output frequency	$\leq 120$ kHz $\leq 300$ kHz (on request)
Output signals	K1, K2, K0 + inverted
Output stages	HTL-P (power linedriver) TTL/RS422
Interference immunity	EN 61000-6-2
Emitted interference	EN 61000-6-3
Approvals	CE, UL approval / E256710

#### Technical data - mechanical design

Size (flange)	$\varnothing 115$ mm
Shaft type	$\varnothing 11$ mm solid shaft
Admitted shaft load	$\leq 250$ N axial $\leq 350$ N radial
Flange	EURO flange B10
Protection DIN EN 60529	IP 55
Operating speed	$\leq 12000$ rpm (mechanical)
Operating torque typ.	1 Ncm
Rotor moment of inertia	280 gcm <sup>2</sup>
Materials	Housing: aluminium die-cast Shaft: stainless steel
Operating temperature	-30...+100 °C -25...+100 °C (>3072 pulses per revolution)
Resistance	IEC 60068-2-6 Vibration 10 g, 10-2000 Hz IEC 60068-2-27 Shock 100 g, 6 ms
Corrosion protection	IEC 60068-2-52 Salt mist Complies to ISO 12944-5:1998 Protective paint systems (C4)
Explosion protection	II 3 G Ex nA IIC T4 Gc (gas) II 3 D Ex tc IIIB T135°C Dc (dust)
Connection	Terminal box
Weight approx.	980 g



# Incremental encoders

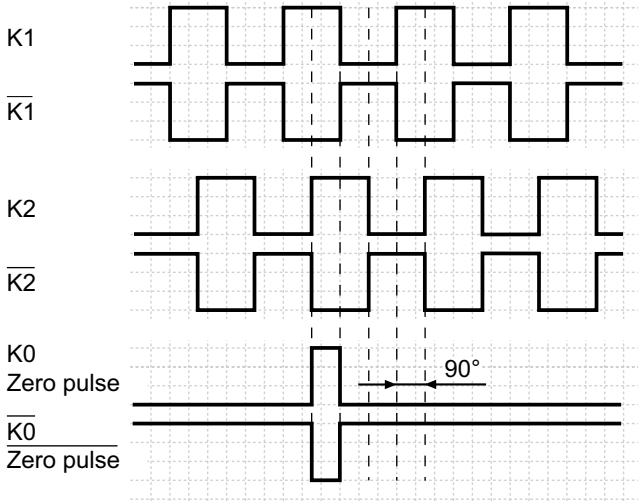
## Solid shaft with EURO flange B10

### 25...5000 pulses per revolution

OG 9

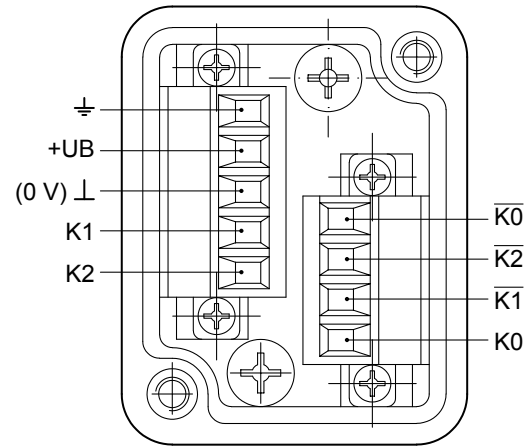
#### Output signals

At positive rotating direction

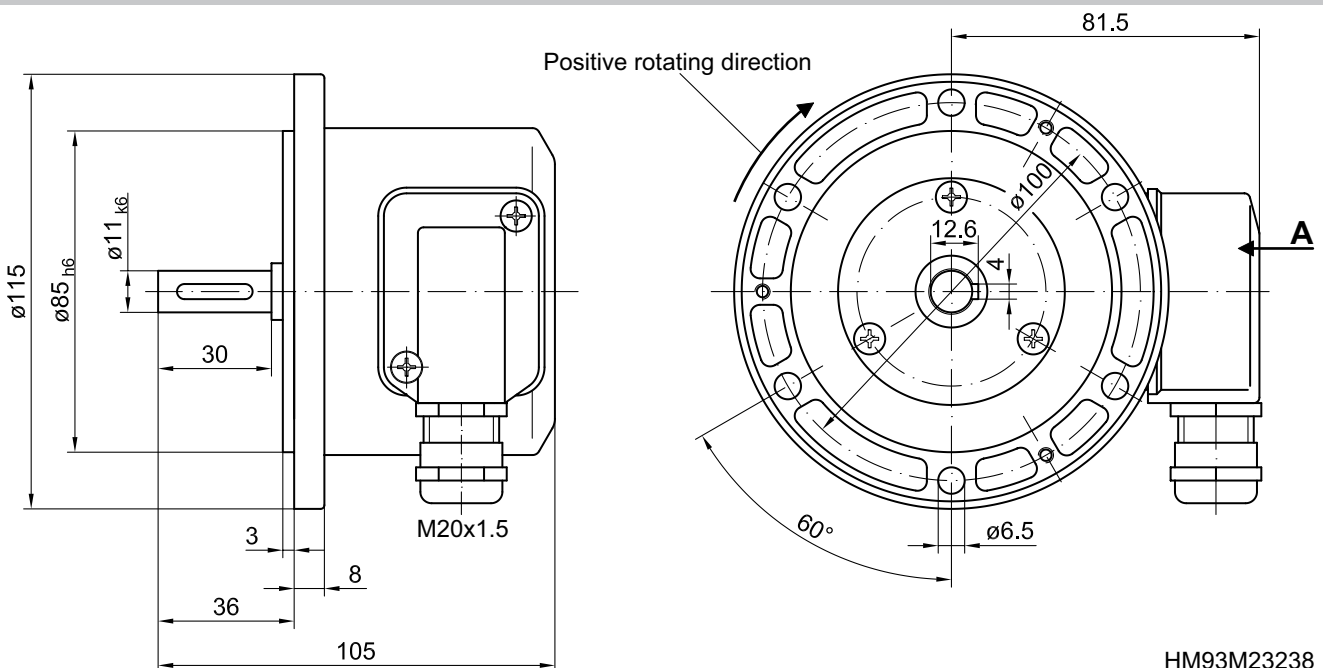


#### Terminal assignment

View A - Connecting terminal in terminal box



#### Dimensions



HM93M23238

**Incremental encoders**  
**Solid shaft with EURO flange B10**  
**25...5000 pulses per revolution**

**OG 9**

---