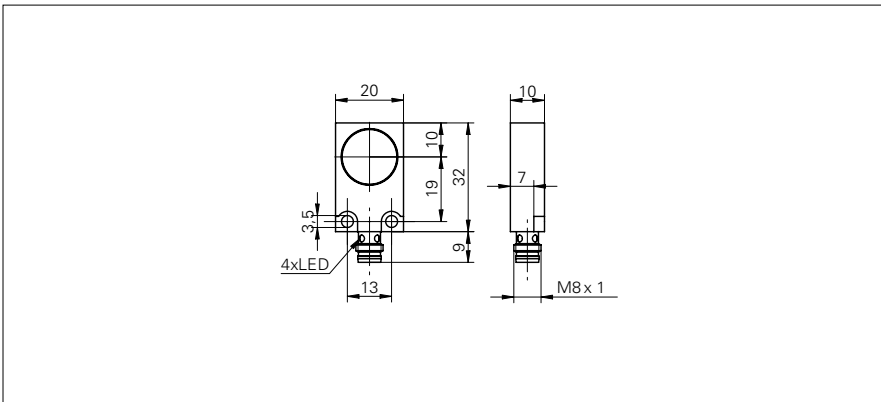


Inductive proximity switch

IFFM 20P3501/S35L

dimension drawing



general data

mounting type	flush
nominal sensing distance S_n	5 mm
hysteresis	3 ... 20 % of S_r
output indicator	4 port LED red

electrical data

switching frequency	< 1 kHz
voltage supply range +Vs	10 ... 50 VDC
current consumption max. (no load)	10 mA
output circuit	PNP break function (NC)
voltage drop V_d	< 3 VDC
output current	< 200 mA
short circuit protection	yes
reverse polarity protection	yes

mechanical data

type	rectangular
material (sensing face)	PBT
housing material	brass nickel plated
dimension	20 mm
housing length	32 mm
connection types	connector M8

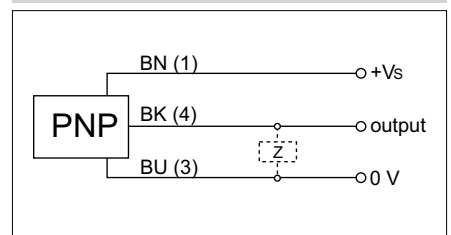
ambient conditions

operating temperature	-25 ... +75 °C
protection class	IP 67

photo



connection diagram



• voltage supply range 10-50 VDC