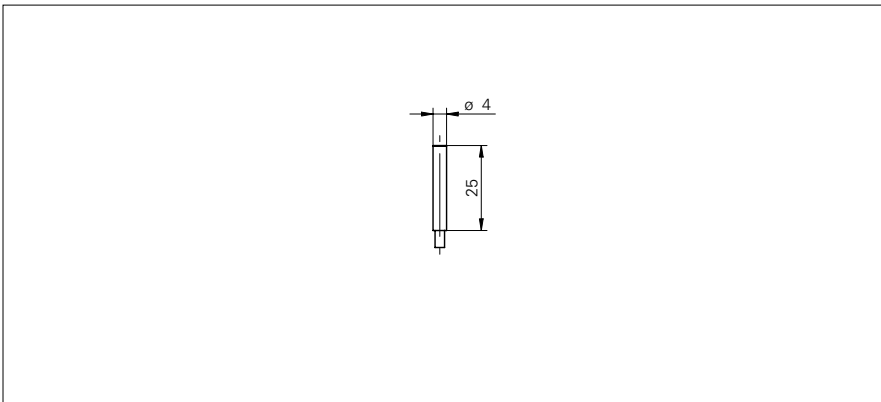


**Inductive sensors NAMUR**

**IFR 04.82.05**

**dimension drawing**



**general data**

mounting type	flush
nominal sensing distance $S_n$	0,8 mm

**electrical data**

switching frequency	< 5 kHz
normal operating voltage	8,2 VDC
voltage supply range +Vs	6 ... 30 VDC
current consumption undamped	> 4 mA
current consumption damped	< 1 mA
current consumption max. (no load)	10 mA
output circuit	NAMUR
residual ripple	< 10 % Vs

**mechanical data**

type	cylindrical smooth
housing material	stainless steel
dimension	4 mm
housing length	25 mm
connection types	cable, 2 m

**ambient conditions**

operating temperature	-25 ... +75 °C
protection class	IP 67

**photo**



**connection diagram**

