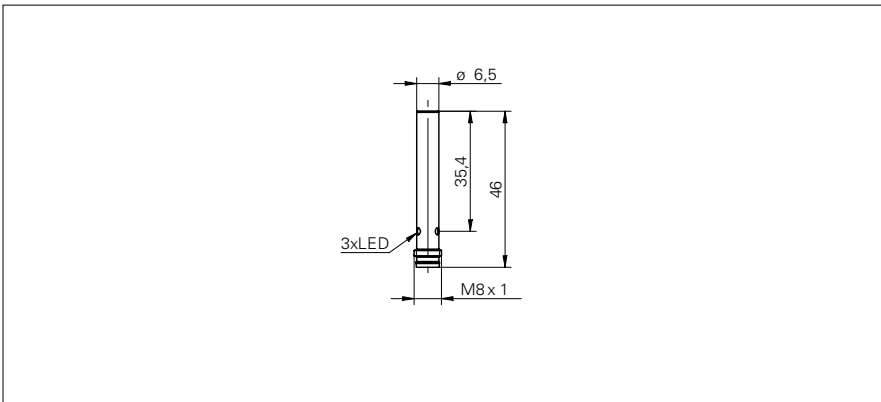


**Inductive proximity switch**

**IFRM 06N17G1/S35L**

**dimension drawing**



**general data**

mounting type	quasi-flush
special type	enhanced distance (GammaProx)
nominal sensing distance $S_n$	3 mm
hysteresis	2 ... 25 % of $S_r$
output indicator	3 port LED red

**electrical data**

switching frequency	< 1 kHz
voltage supply range +Vs	12 ... 30 VDC
current consumption max. (no load)	18 mA
output circuit	NPN make function (NO)
voltage drop $V_d$	< 2 VDC
output current	< 200 mA
short circuit protection	yes
reverse polarity protection	yes

**mechanical data**

type	cylindrical smooth
material (sensing face)	PBT
housing material	stainless steel
dimension	6,5 mm
housing length	46 mm
connection types	connector M8

**ambient conditions**

operating temperature	-25 ... +75 °C
protection class	IP 67

**photo**



**connection diagram**



- Not for flush mounting in mild steel
- triple sensing distance