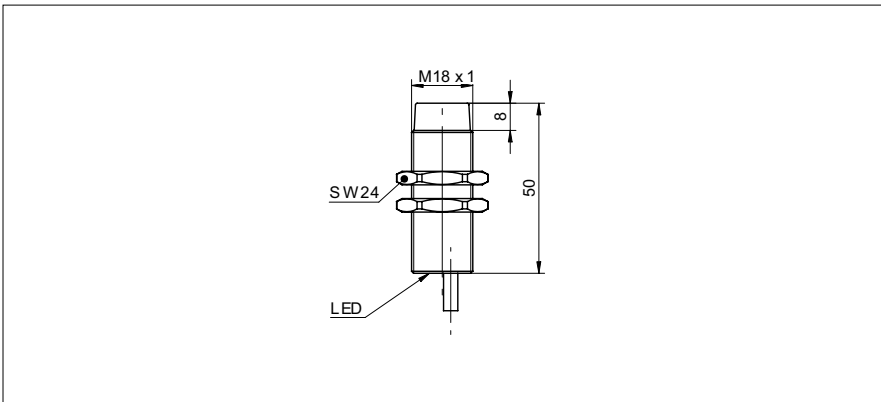


**Inductive proximity switch**

**IFRM 18P13G1/L**

**dimension drawing**



**general data**

|                                |                               |
|--------------------------------|-------------------------------|
| mounting type                  | non-flush                     |
| special type                   | enhanced distance (GammaProx) |
| nominal sensing distance $S_n$ | 20 mm                         |
| hysteresis                     | 2 ... 25 % of $S_r$           |
| output indicator               | LED red                       |

**electrical data**

|                                    |                        |
|------------------------------------|------------------------|
| switching frequency                | < 400 Hz               |
| voltage supply range +Vs           | 12 ... 30 VDC          |
| current consumption max. (no load) | 24 mA                  |
| output circuit                     | PNP make function (NO) |
| voltage drop Vd                    | < 2 VDC                |
| output current                     | < 200 mA               |
| short circuit protection           | yes                    |
| reverse polarity protection        | yes                    |

**mechanical data**

|                         |                      |
|-------------------------|----------------------|
| type                    | cylindrical threaded |
| material (sensing face) | PBT                  |
| housing material        | brass nickel plated  |
| dimension               | 18 mm                |
| housing length          | 50 mm                |
| connection types        | cable, 2 m           |

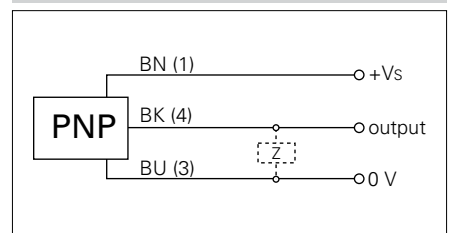
**ambient conditions**

|                       |              |
|-----------------------|--------------|
| operating temperature | 0 ... +45 °C |
| protection class      | IP 67        |

**photo**



**connection diagram**



- increased sensing distance
- load resistance:  $Z < 100 \text{ k}\Omega$  must be connected