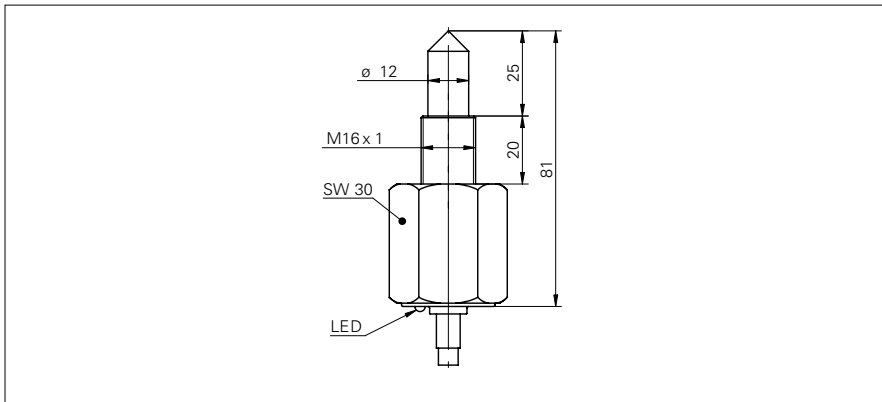


Liquid level and leakage sensors

FFAK 16

sample drawing



general data

type	liquid level sensor
light source	pulsed infrared diode
nominal pressure (probe tip)	10 bar
output indicator	LED yellow
sensitivity adjustment	no
wave length	880 nm
measurement type	contact with medium

electrical data

voltage supply range +Vs	10 ... 30 VDC
current consumption max. (no load)	15 mA
voltage drop Vd	< 2 VDC
output function	normally open (NO)
output current	< 200 mA
short circuit protection	no
reverse polarity protection	yes, Vs to GND

mechanical data

width / diameter	30 mm
height / length	81 mm
thread	M16x1 mm
type	cylindrical
material (sensing device)	polysulphone
housing material	polysulphone
connection types	cable 3 pin, 2 m

ambient conditions

operating temperature	0 ... +65 °C
protection class	IP 67

order reference

FFAK 16NTD1001/L
FFAK 16PTD1001/L

output circuit

NPN
PNP

sample picture

