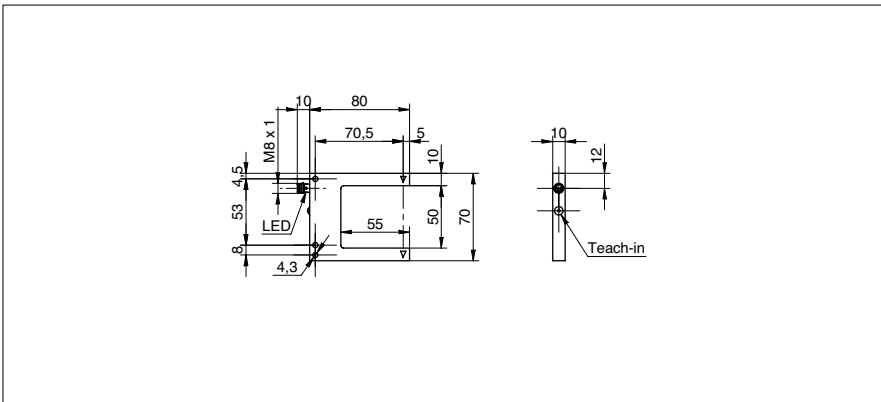


Fork and angle sensors

FGUM (Teach-in)

sample drawing



general data

type	through beam sensor
object size	> 0,3 mm
repeat accuracy	< 0,03 mm
hysteresis	< 0,1 mm
ambient light immunity	< 20 kLux
sensitivity adjustment	Teach-in: button / remote
light source	pulsed red LED
wave length	660 nm
light indicator	LED yellow

sample picture



electrical data

response time / release time	< 0,166 ms
switching frequency	< 3 kHz
voltage supply range +Vs	10 ... 35 VDC
current consumption max. (no load)	30 mA
output function	light / dark operate switchable
output circuit	PNP
voltage drop Vd	< 2 VDC
output current	< 200 mA
short circuit protection	yes
reverse polarity protection	yes

mechanical data

depth	10 mm
type	U profile
housing material	die-cast zinc
connection types	connector M8

ambient conditions

operating temperature	-10 ... +60 °C
protection class	IP 67

order reference	fork width Sb	penetration depth	width / diameter	height / length
FGUM 030P6901/S35A	30 mm	35 mm	50 mm	60 mm
FGUM 050P6901/S35A	50 mm	55 mm	70 mm	80 mm
FGUM 080P6901/S35A	80 mm	55 mm	100 mm	80 mm