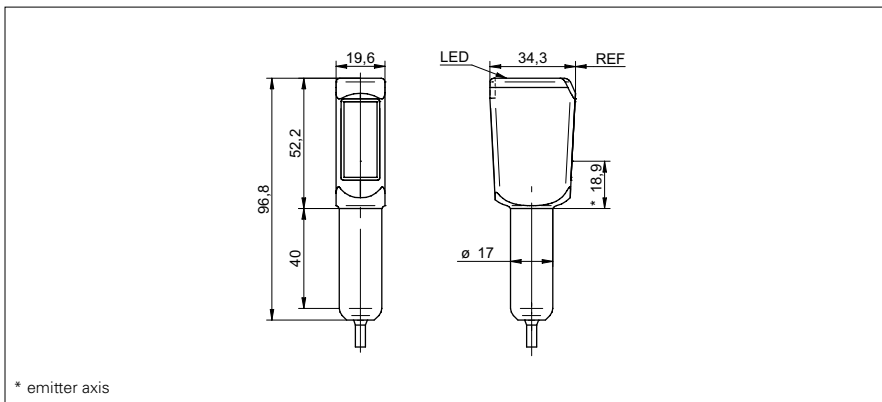


# Diffuse sensors with background suppression

## FHDH 14G6901

### dimension drawing



### general data

type	background suppression
special type	hygienic design
light source	pulsed red LED
sensing distance $T_w$	50 ... 400 mm
sensing range $T_b$ (at $T_w$ max.)	20 ... 400 mm
sensing range $T_b$ (at $T_w$ min.)	20 ... 50 mm
power on indication	LED green
output indicator	LED red
sensing distance adjustment	Teach-in
wave length	660 nm
approvals/certificates	Ecolab EHEDG

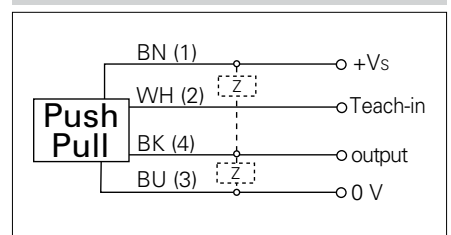
### photo



### electrical data

response time / release time	< 1,8 ms
voltage supply range +Vs	10 ... 30 VDC
current consumption max. (no load)	40 mA
current consumption typ.	35 mA
voltage drop Vd	< 2 VDC
output function	light / dark operate
output circuit	push-pull
output current	< 100 mA
short circuit protection	yes
reverse polarity protection	yes

### connection diagram



**proTect<sup>+</sup>**



- Sensor FDA compliant, EHEDG certified and Ecolab approved
- sensitivity adjustable: via Teach-in wire input

## Diffuse sensors with background suppression

**FHDH 14G6901****ambient conditions**

operating temperature	-30 ... +60 °C
protection class	IP 68/69K & proTect+
storage temperature	-30 ... +70 °C