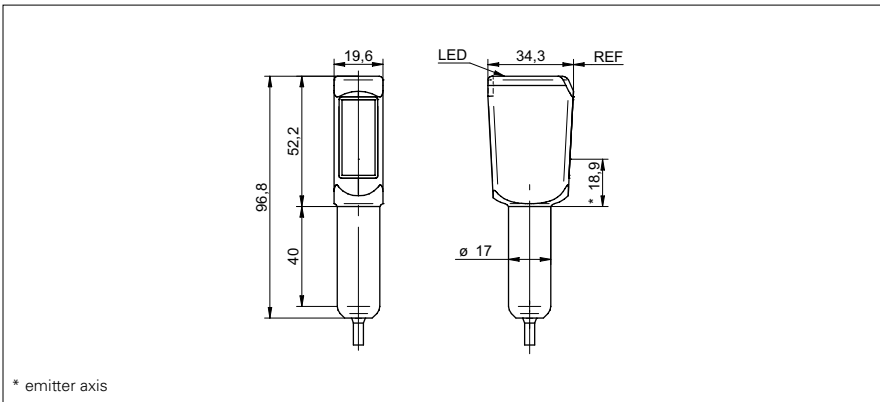


# Diffuse sensors with background suppression

## FHDH 14

**sample drawing**



**general data**

type	background suppression
special type	hygienic design
light source	pulsed red LED
sensing distance $T_w$	50 ... 400 mm
sensing range $T_b$ (at $T_w$ max.)	20 ... 400 mm
sensing range $T_b$ (at $T_w$ min.)	20 ... 50 mm
power on indication	LED green
output indicator	LED red
sensing distance adjustment	Teach-in
wave length	660 nm
approvals/certificates	Ecolab EHEDG

**sample picture**



**electrical data**

response time / release time	< 1,8 ms
voltage supply range +Vs	10 ... 30 VDC
current consumption max. (no load)	40 mA
current consumption typ.	35 mA
voltage drop Vd	< 2 VDC
output function	light / dark operate
output circuit	push-pull
output current	< 100 mA
short circuit protection	yes
reverse polarity protection	yes

**mechanical data**

width / diameter	19,6 mm
height / length	52,2 mm
depth	34,3 mm
type	rectangular
housing material	stainless steel 1.4404 (V4A)
front (optics)	PMMA

**ambient conditions**

operating temperature	-30 ... +60 °C
protection class	IP 68/69K & proTect+
storage temperature	-30 ... +70 °C

## Diffuse sensors with background suppression

## FHDH 14

order reference	connection types	sensitivity adjustment
FHDH 14G6901	cable 4 pin, 2 m	-
FHDH 14G6901/IO	cable 4 pin, 2 m	IO-Link
FHDH 14G6901/KS34A	flylead connector M12, L=300 mm	-
FHDH 14G6901/KS34A/IO	flylead connector M12, L=300 mm	IO-Link