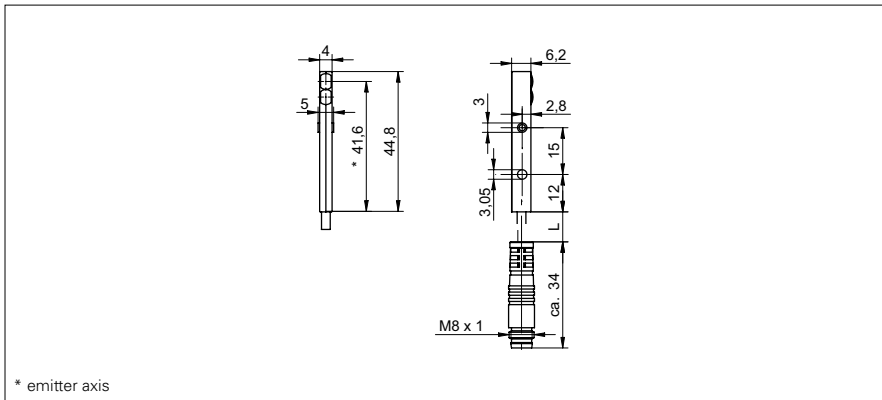


Diffuse sensors with background suppression

FHDK 04G6102/KS35A

dimension drawing



general data

| | |
|-------------------------------------|--------------------------|
| type | background suppression |
| light source | pulsed point source LED |
| sensing distance Tw | 50 mm ±3 mm |
| alignment / soiled lens indicator | flashing light indicator |
| light indicator | LED yellow |
| wave length | 660 nm |
| beam diameter | 2 mm |
| suppression of reciprocal influence | yes |

electrical data

| | |
|------------------------------------|------------------|
| response time / release time | < 0,5 ms |
| voltage supply range +Vs | 11 ... 30 VDC |
| current consumption max. (no load) | 30 mA |
| current consumption typ. | 20 mA |
| voltage drop Vd | < 2 VDC |
| output function | light operate |
| output circuit | push-pull |
| output current | < 50 mA |
| short circuit protection | yes |
| reverse polarity protection | yes, supply only |

mechanical data

| | |
|------------------|--------------------------------------|
| width / diameter | 4 mm |
| height / length | 44,8 mm |
| depth | 6,2 mm |
| type | rectangular |
| housing material | plastic (ASA) |
| front (optics) | PMMA |
| connection types | flylead connector M8 4 pin, L=200 mm |

ambient conditions

| | |
|-----------------------|----------------|
| operating temperature | -10 ... +50 °C |
| protection class | IP 65 |

photo



connection diagram

