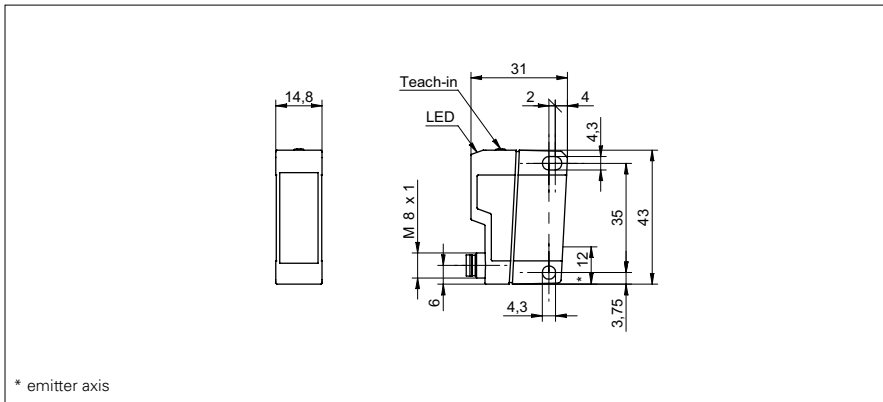


Diffuse sensors with background suppression

FHDK 14 (teach-in)

sample drawing



general data

type	background suppression
light source	pulsed red LED
sensing distance T_w	40 ... 200 mm
sensing range T_b (at T_w max.)	20 ... 200 mm
sensing range T_b (at T_w min.)	12 ... 40 mm
alignment / soiled lens indicator	flashing light indicator
light indicator	LED green
output indicator	LED yellow
sensing distance adjustment	Teach-in
wave length	660 nm
suppression of reciprocal influence	yes

sample picture



electrical data

response time / release time	< 0,5 ms
voltage supply range +Vs	10 ... 30 VDC
current consumption max. (no load)	40 mA
current consumption typ.	35 mA
voltage drop V_d	< 1,8 VDC
output function	light / dark operate
output current	< 100 mA
short circuit protection	yes
reverse polarity protection	yes

mechanical data

width / diameter	14,8 mm
height / length	43 mm
type	rectangular
housing material	plastic (ASA, MABS)
front (optics)	PMMA

ambient conditions

operating temperature	-25 ... +65 °C
protection class	IP 67

Diffuse sensors with background suppression

FHDK 14 (teach-in)

order reference	connection types	output circuit	depth
FHDK 14N6901	cable 4 pin, 2 m	NPN	32,7 mm
FHDK 14N6901/S14	connector M12 4 pin	NPN	31 mm
FHDK 14N6901/S35A	connector M8 4 pin	NPN	31 mm
FHDK 14P6901	cable 4 pin, 2 m	PNP	32,7 mm
FHDK 14P6901/S14	connector M12 4 pin	PNP	31 mm
FHDK 14P6901/S35A	connector M8 4 pin	PNP	31 mm