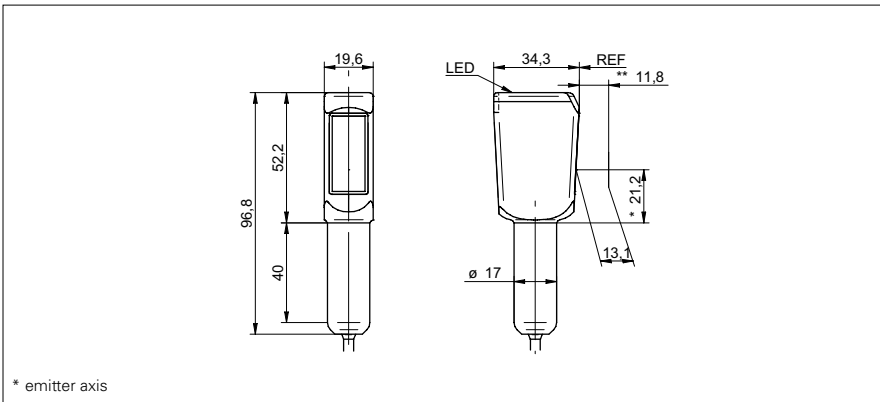


**Diffuse contrast sensors**

**FKDH 14**

**sample drawing**



**general data**

type	diffuse contrast sensor
special type	hygienic design
light source	white LED
sensing distance $T_w$	12,5 mm $\pm$ 2 mm
light indicator	LED green
output indicator	LED yellow
sensitivity adjustment	Teach-in
distance to focus	12,5 mm
beam height	3 mm
beam width	1 mm
approvals/certificates	Ecolab EHEDG

**sample picture**



**electrical data**

response time / release time	< 0,05 ms
voltage supply range +Vs	18 ... 30 VDC
current consumption max. (no load)	50 mA
current consumption typ.	40 mA
voltage drop Vd	< 3 VDC
output function	light / dark operate
output circuit	push-pull
output current	< 100 mA
short circuit protection	yes
reverse polarity protection	yes

**mechanical data**

width / diameter	19,6 mm
height / length	52,2 mm
depth	34,3 mm
type	rectangular
housing material	stainless steel 1.4404 (V4A)
front (optics)	PMMA

**ambient conditions**

operating temperature	-25 ... +60 °C
protection class	IP 68/69K & proTect+

**Diffuse contrast sensors****FKDH 14**

<b>order reference</b>	<b>connection types</b>
FKDH 14G6901	cable 4 pin, 2 m
FKDH 14G6901/KS34A	flylead connector M12, L=300 mm