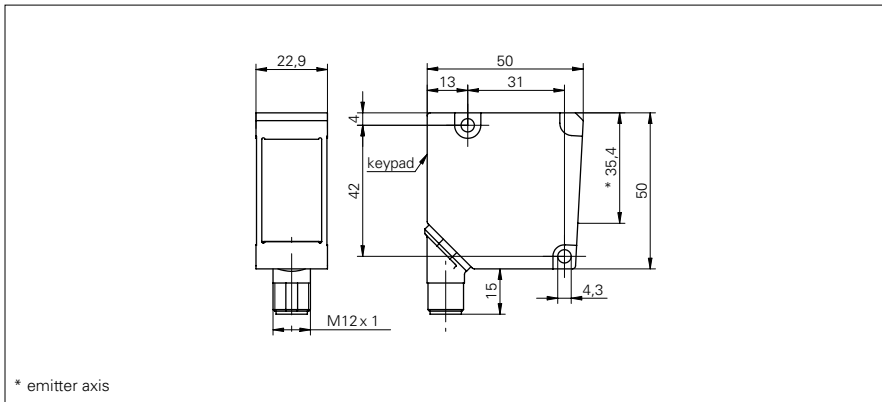


**Color sensors**

**FKDM 22P1902/S14F**

**dimension drawing**



**general data**

|                        |                         |
|------------------------|-------------------------|
| sensing distance Tw    | 40 mm                   |
| sensor channels        | 2 (teachable)           |
| tolerance ranges       | 5-step teachable (LEDs) |
| size of measuring spot | 3 mm x 5 mm             |
| light source           | LED red / green / blue  |
| signal display (Teach) | LED orange              |
| channel status display | LED yellow per channel  |
| power on indication    | LED green               |

**electrical data**

|                              |  |
|------------------------------|--|
| response time / release time | < 0,34 ms  |
| voltage supply range +Vs     | 10 ... 30 VDC  |
| power consumption            | < 2 W  |
| output circuit               | PNP  |
| output function              | light operate  |
| voltage drop Vd              | < 1,8 VDC  |
| output current (per channel) | < 100 mA   |
| remote Teach-In input        | protocol with return signal through channel 1-output |
| sync. input                  | low active   |
| level (sync., teach)         | high: 2/3 Vs...Vs low: 0 V...1/3 Vs                  |
| short circuit protection     | yes  |
| reverse polarity protection  | yes  |

**mechanical data**

|                  |                                 |
|------------------|---------------------------------|
| width / diameter | 22,9 mm                         |
| type             | rectangular                     |
| housing material | die-cast zinc                   |
| front (optics)   | glass                           |
| device plug      | connector M12, 8 pin, rotatable |

**ambient conditions**

|                       |                |
|-----------------------|----------------|
| operating temperature | -10 ... +55 °C |
| protection class      | IP 67          |

**photo**



**connection diagram**

