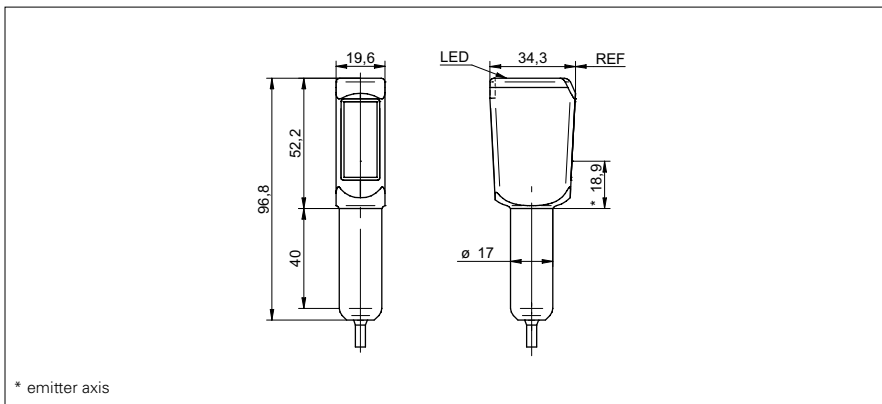


**SmartReflect Light barriers**

**FNDH 14G6903**

**dimension drawing**



**general data**

type	light barrier
special type	hygienic design
version	Foil detection
light source	pulsed point source LED
background position Sde	200 ... 800 mm on V4A
minimal signal attenuation	12 %
alignment / soiled lens indicator	flashing light indicator
power on indication	LED green
output indicator	LED red
sensing distance adjustment	Teach-in
wave length	660 nm
approvals/certificates	Ecolab EHEDG

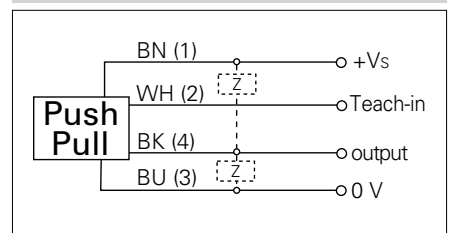
**photo**



**electrical data**

response time / release time	< 1,8 ms
voltage supply range +Vs	10 ... 30 VDC
current consumption max. (no load)	40 mA
current consumption typ.	35 mA
voltage drop Vd	< 2 VDC
output function	light / dark operate
output circuit	push-pull
output current	< 100 mA
short circuit protection	yes
reverse polarity protection	yes

**connection diagram**



**proTect<sup>+</sup>**

**mechanical data**

width / diameter	19,6 mm
height / length	52,2 mm
depth	34,3 mm
type	rectangular
housing material	stainless steel 1.4404 (V4A)
front (optics)	PMMA
connection types	cable 4 pin, 2 m



- Sensor FDA compliant, EHEDG certified and Ecolab approved
- sensitivity adjustable: via Teach-in wire input

**SmartReflect Light barriers****FNDH 14G6903****ambient conditions**

operating temperature	-30 ... +60 °C
protection class	IP 68/69K & proTect+
storage temperature	-30 ... +70 °C