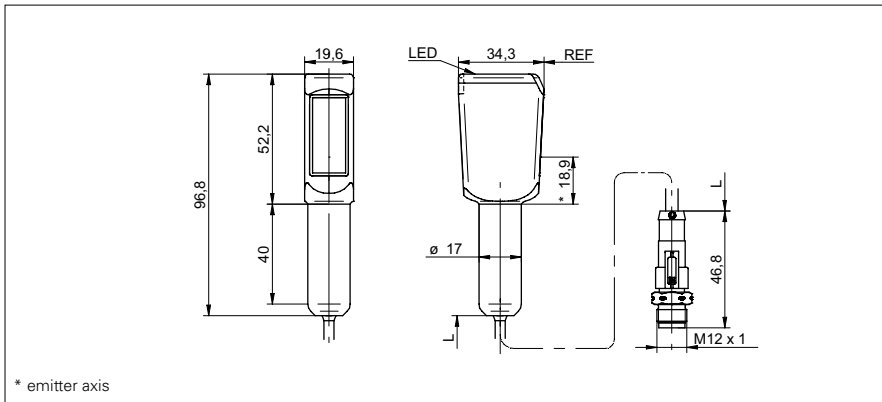


SmartReflect Light barriers

FNDH 14G6903/KS34A/IO

dimension drawing



general data

type	light barrier
special type	hygienic design
version	Foil detection
light source	pulsed point source LED
background position Sde	200 ... 800 mm on V4A
minimal signal attenuation	12 %
alignment / soiled lens indicator	flashing light indicator
power on indication	LED green
output indicator	LED red
sensing distance adjustment	Teach-in and IO-Link
wave length	660 nm
approvals/certificates	Ecolab EHEDG

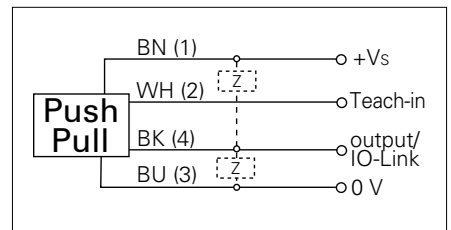
photo



electrical data

response time / release time	< 1,8 ms
voltage supply range +Vs	10 ... 30 VDC
current consumption max. (no load)	40 mA
current consumption typ.	35 mA
voltage drop Vd	< 2 VDC
output function	light / dark operate
output circuit	push-pull
output current	< 100 mA
short circuit protection	yes
reverse polarity protection	yes

connection diagram



mechanical data

width / diameter	19,6 mm
height / length	52,2 mm
depth	34,3 mm
type	rectangular
housing material	stainless steel 1.4404 (V4A)
front (optics)	PMMA
connection types	flylead connector M12, L=300 mm



- Sensor FDA compliant, EHEDG certified and Ecolab approved
- IO-Link: output signal, service status, object presence
- sensitivity adjustable: via Teach-in wire input

SmartReflect Light barriers**FNDH 14G6903/KS34A/IO****ambient conditions**

operating temperature	-30 ... +60 °C
protection class	IP 68/69K & proTect+
storage temperature	-30 ... +70 °C