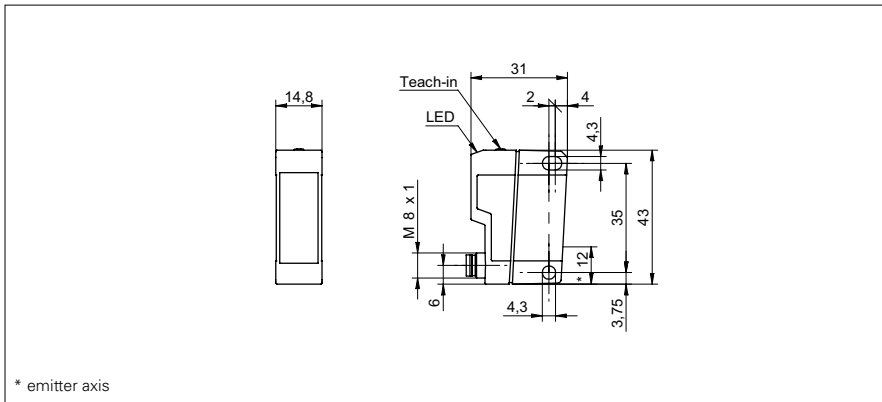


SmartReflect Light barriers

FNDK 14

sample drawing



* emitter axis

general data

type	light barrier
version	standard object detection
light source	pulsed red LED
background position Sde	60 ... 200 mm
scanning range Sa	90% Sde
light indicator	LED green
output indicator	LED yellow
sensing distance adjustment	Teach-in
wave length	660 nm
suppression of reciprocal influence	yes

electrical data

response time / release time	< 0,5 ms
voltage supply range +Vs	10 ... 30 VDC
current consumption max. (no load)	40 mA
current consumption typ.	35 mA
voltage drop Vd	< 1,8 VDC
output function	light / dark operate
output circuit	PNP
output current	< 100 mA
short circuit protection	yes
reverse polarity protection	yes

mechanical data

width / diameter	14,8 mm
height / length	43 mm
depth	31 mm
type	rectangular
housing material	plastic (ASA, MABS)
front (optics)	PMMA

ambient conditions

operating temperature	-25 ... +65 °C
protection class	IP 67

order reference

FNDK 14P6910/S14	connector M12 4 pin
FNDK 14P6910/S35A	connector M8 4 pin

connection types

sample picture

