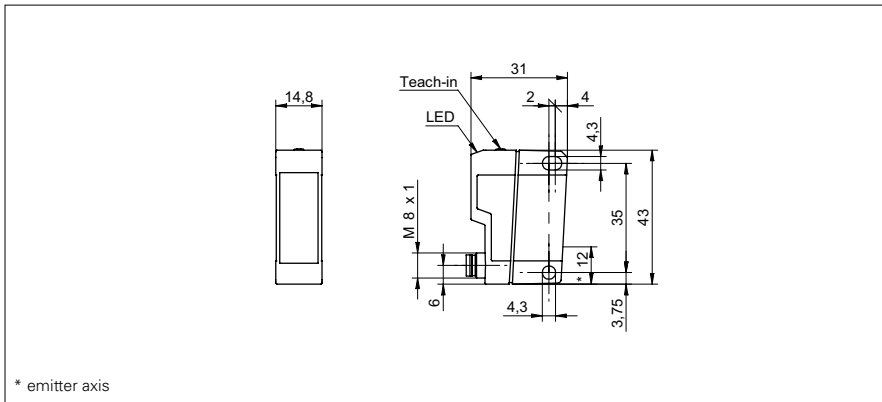


# SmartReflect Light barriers

# FNDK 14

**sample drawing**



\* emitter axis

**general data**

type	light barrier
light source	pulsed red LED
alignment / soiled lens indicator	flashing light indicator
power on indication	LED green
output indicator	LED red
sensing distance adjustment	Teach-in and IO-Link
wave length	660 nm

**electrical data**

response time / release time	< 1,8 ms
voltage supply range +Vs	10 ... 30 VDC
current consumption max. (no load)	35 mA
current consumption typ.	30 mA
voltage drop Vd	< 2 VDC
output function	light / dark operate
output circuit	push-pull
output current	< 100 mA
short circuit protection	yes

**mechanical data**

width / diameter	14,8 mm
height / length	43 mm
depth	31 mm
type	rectangular
housing material	plastic (ASA, MABS)
front (optics)	PMMA

**ambient conditions**

operating temperature	-30 ... +60 °C
protection class	IP 67

**sample picture**



**SmartReflect Light barriers**
**FNDK 14**

order reference	version	background position Sde	connection types	reverse polarity protec- tion	scan- ning range Sa	minimal signal attenua- tion
<b>FNDK 14G6902/IO</b>	Tray and bottle detection	200 ... 800 mm on V4A	cable 4 pin, 2 m	yes, Vs to GND	-	30 %
<b>FNDK 14G6902/S14/IO</b>	Tray and bottle detection	200 ... 800 mm on V4A	connector M12 4 pin	yes, Vs to GND	-	30 %
<b>FNDK 14G6902/S35A/IO</b>	Tray and bottle detection	200 ... 800 mm on V4A	connector M8 4 pin	yes, Vs to GND	-	30 %
<b>FNDK 14G6903/IO</b>	Foil detection	200 ... 800 mm on V4A	cable 4 pin, 2 m	yes	-	12 %
<b>FNDK 14G6903/S14/IO</b>	Foil detection	200 ... 800 mm on V4A	connector M12 4 pin	yes	-	12 %
<b>FNDK 14G6903/S35A/IO</b>	Foil detection	200 ... 800 mm on V4A	connector M8 4 pin	yes	-	12 %
<b>FNDK 14G6904/IO</b>	standard object detection	50 ... 800 mm on V4A	cable 4 pin, 2 m	yes	96% Sde	-
<b>FNDK 14G6904/S14/IO</b>	standard object detection	50 ... 800 mm on V4A	connector M12 4 pin	yes	96% Sde	-
<b>FNDK 14G6904/S35A/IO</b>	standard object detection	50 ... 800 mm on V4A	connector M8 4 pin	yes	96% Sde	-