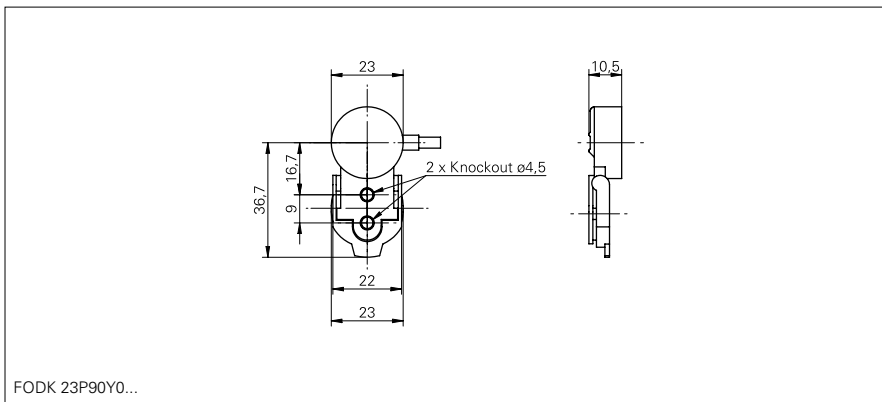


Liquid level and leakage sensors

FODK 23

sample drawing



general data

type	Leakage sensor
light source	pulsed red LED
output indicator	LED orange
light indicator	LED green
sensitivity adjustment	no
wave length	875 nm
measurement type	contact with medium

sample picture



electrical data

response time / release time	< 1 ms
voltage supply range +Vs	12 ... 24 VDC
current consumption max. (no load)	30 mA
voltage drop Vd	< 1 VDC
output function	normally closed (NC)
output circuit	PNP
output current	< 50 mA
short circuit protection	yes
reverse polarity protection	yes

mechanical data

width / diameter	23 mm
height / length	10,5 mm
depth	37,2 mm
type	rectangular
material (sensing device)	PFA

ambient conditions

operating temperature	-25 ... +50 °C
protection class	IP 67

order reference	housing material	connection types
FODK 23P90Y0	PFA / PVC	cable 3 pin, 2 m
FODK 23P90Y0/0500	PFA / PVC	cable 3 pin, 5 m
FODK 23P90Y5	PFA	cable 3 pin, 2 m