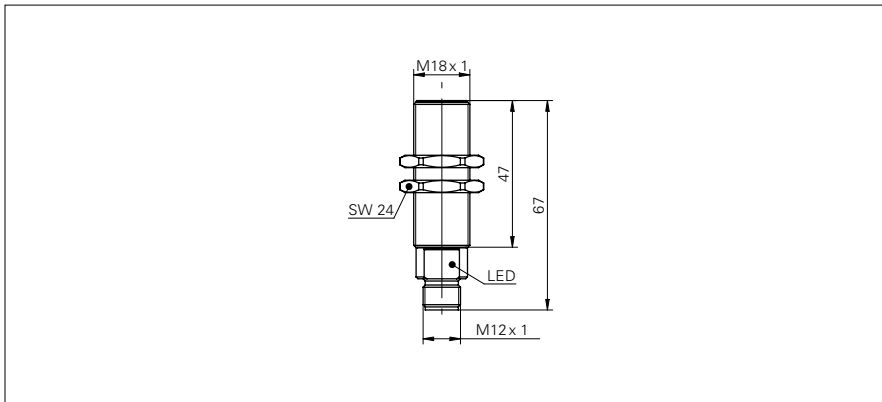


Retro-reflective sensors

FPAM 18

sample drawing



general data

type	retro-reflective sensor
light source	pulsed red LED
actual range Sb	3,2 m
nominal range Sn	4 m
polarization filter	yes
alignment / soiled lens indicator	flashing light indicator
light indicator	LED yellow
sensitivity adjustment	no
wave length	660 nm
suppression of reciprocal influence	yes

electrical data

response time / release time	< 1 ms
voltage supply range +Vs	10 ... 30 VDC
current consumption max. (no load)	35 mA
current consumption typ.	22 mA
voltage drop Vd	< 1,8 VDC
output function	dark operate
output current	< 200 mA
short circuit protection	yes
reverse polarity protection	yes

mechanical data

width / diameter	18 mm
type	cylindrical threaded
housing material	brass nickel plated / PC
front (optics)	PMMA

ambient conditions

operating temperature	-25 ... +55 °C
protection class	IP 67

order reference	connection types	height / length	output circuit
FPAM 18N3151	cable 3 pin, 2 m	57 mm	NPN
FPAM 18N3151/S14	connector M12 4 pin	67 mm	NPN
FPAM 18P3151	cable 3 pin, 2 m	57 mm	PNP
FPAM 18P3151/S14	connector M12 4 pin	67 mm	PNP

sample picture

