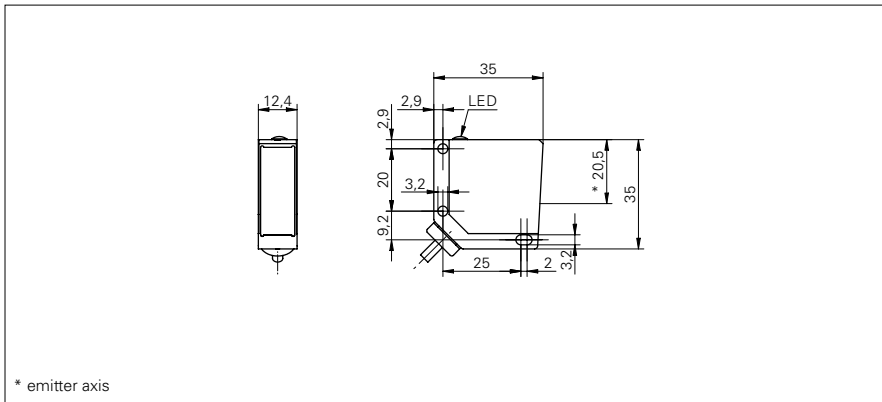


**Retro-reflective sensors**

**FPDM 12N3401**

**dimension drawing**



**general data**

|                                     |                          |
|-------------------------------------|--------------------------|
| type                                | retro-reflective sensor  |
| light source                        | pulsed red LED           |
| actual range Sb                     | 5 m                      |
| nominal range Sn                    | 5,2 m                    |
| polarization filter                 | yes                      |
| alignment / soiled lens indicator   | flashing light indicator |
| light indicator                     | LED yellow               |
| sensitivity adjustment              | no                       |
| wave length                         | 660 nm                   |
| suppression of reciprocal influence | yes                      |

**electrical data**

|                                    |                   |
|------------------------------------|-------------------|
| response time / release time       | < 1 ms            |
| voltage supply range +Vs           | 10 ... 30 VDC     |
| current consumption max. (no load) | 35 mA             |
| current consumption typ.           | 25 mA             |
| voltage drop Vd                    | < 1,8 VDC         |
| output function                    | alarm output dark |
| output circuit                     | NPN               |
| output current                     | < 100 mA          |
| short circuit protection           | yes               |
| reverse polarity protection        | yes               |

**mechanical data**

|                  |                  |
|------------------|------------------|
| width / diameter | 12,4 mm          |
| height / length  | 35 mm            |
| depth            | 35 mm            |
| type             | rectangular      |
| housing material | die-cast zinc    |
| front (optics)   | PMMA             |
| connection types | cable 4 pin, 2 m |

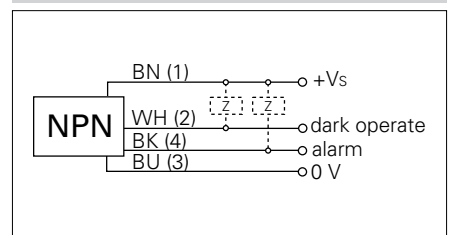
**ambient conditions**

|                       |                |
|-----------------------|----------------|
| operating temperature | -25 ... +65 °C |
| protection class      | IP 67          |

**photo**



**connection diagram**



- output state: Version with alarm output must be ordered either dark operate or light operate.