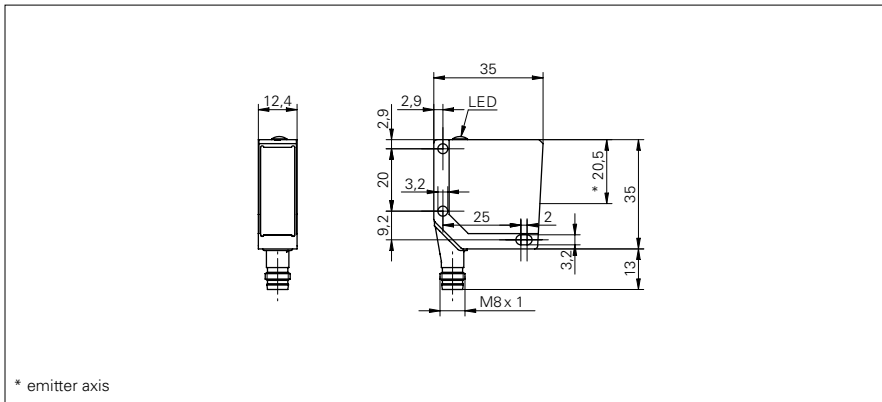


**Retro-reflective sensors**

**FPDM 12**

**sample drawing**



**general data**

type	retro-reflective sensor
light source	pulsed red LED
actual range $S_b$	5 m
nominal range $S_n$	5,2 m
polarization filter	yes
alignment / soiled lens indicator	flashing light indicator
light indicator	LED yellow
sensitivity adjustment	no
wave length	660 nm
suppression of reciprocal influence	yes

**electrical data**

response time / release time	< 1 ms
voltage supply range +Vs	10 ... 30 VDC
current consumption max. (no load)	35 mA
current consumption typ.	25 mA
voltage drop $V_d$	< 1,8 VDC
output current	< 100 mA
short circuit protection	yes
reverse polarity protection	yes

**mechanical data**

width / diameter	12,4 mm
height / length	35 mm
depth	35 mm
type	rectangular
housing material	die-cast zinc
front (optics)	PMMA

**ambient conditions**

operating temperature	-25 ... +65 °C
protection class	IP 67

**sample picture**



**Retro-reflective sensors****FPDM 12**

<b>order reference</b>	<b>connection types</b>	<b>output circuit</b>	<b>output function</b>
<b>FPDM 12N3401</b>	cable 4 pin, 2 m	NPN	alarm output dark
<b>FPDM 12N3401/S35A</b>	connector M8 4 pin	NPN	alarm output dark
<b>FPDM 12N5101</b>	cable 4 pin, 2 m	NPN	light / dark operate
<b>FPDM 12N5101/S35A</b>	connector M8 4 pin	NPN	light / dark operate
<b>FPDM 12P3401</b>	cable 4 pin, 2 m	PNP	alarm output dark
<b>FPDM 12P3401/S35A</b>	connector M8 4 pin	PNP	alarm output dark
<b>FPDM 12P5101</b>	cable 4 pin, 2 m	PNP	light / dark operate
<b>FPDM 12P5101/S35A</b>	connector M8 4 pin	PNP	light / dark operate