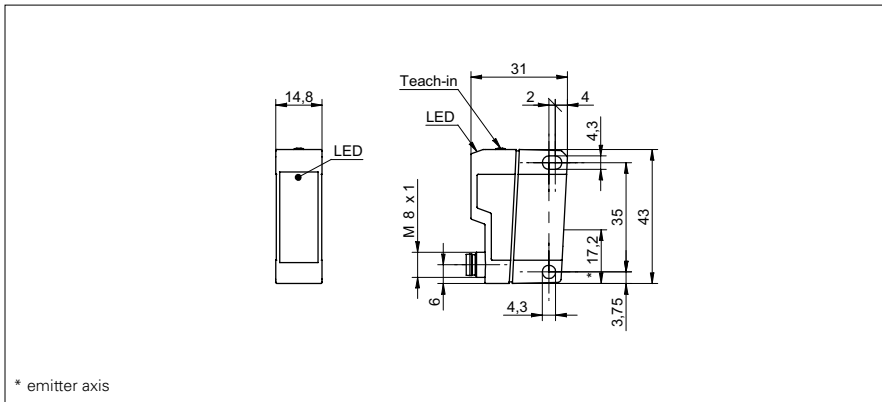


Retro-reflective sensors

FRDK 14 (for transparent Objects)

sample drawing



general data

type	retro-reflective sensor
version	for transparent objects
light source	pulsed red LED
actual range Sb	7 m
nominal range Sn	8 m
polarization filter	no
light indicator	LED yellow
sensitivity adjustment	Teach-in
wave length	660 nm

sample picture



electrical data

response time / release time	< 0,1 ms
teach-in signal time	> 500 µs
adaption time	< 20 ms
voltage supply range +Vs	10 ... 30 VDC
current consumption max. (no load)	40 mA
current consumption typ.	35 mA
voltage drop Vd	< 2,2 VDC
output function	light / dark operate switchable
output current	< 100 mA
short circuit protection	yes
reverse polarity protection	yes

mechanical data

width / diameter	14,8 mm
height / length	43 mm
depth	31 mm
type	rectangular
housing material	plastic (ASA, MABS)
front (optics)	PMMA

ambient conditions

operating temperature	-25 ... +65 °C
protection class	IP 67

Retro-reflective sensors**FRDK 14 (for transparent Objects)**

order reference	connection types	output circuit
FRDK 14N6901	cable 4 pin, 2 m	NPN
FRDK 14N6901/S14	connector M12 4 pin	NPN
FRDK 14N6901/S35A	connector M8 4 pin	NPN
FRDK 14P6901	cable 4 pin, 2 m	PNP
FRDK 14P6901/S14	connector M12 4 pin	PNP
FRDK 14P6901/S35A	connector M8 4 pin	PNP