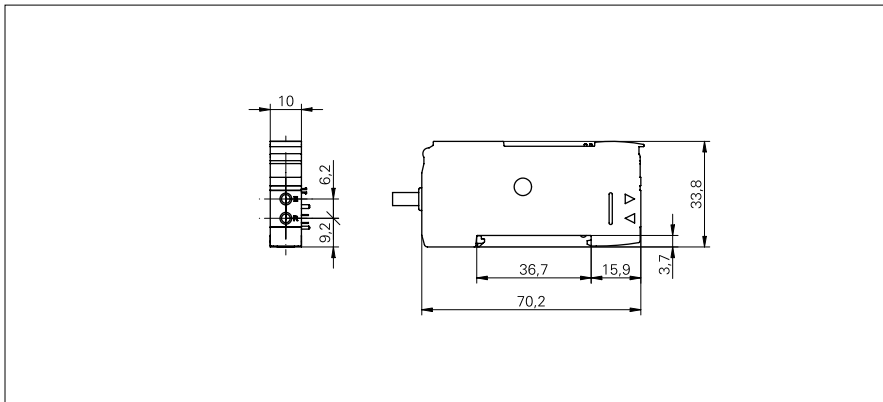


Fiber optic sensors & cables

FVDK 10N66YS

dimension drawing



general data

version	slave
actual range Sb (FSE 200C1002)	340 mm
sensing distance Tw (FUE 200C1003)	130 mm
light source	pulsed red LED
light indicator	2 x 4-digit display
output indicator	LED yellow
adjustment	Teach-in
wave length	645 nm
suppression of reciprocal influence	yes

electrical data

response time / release time	0,25 ... 1 ms (adjustable)
voltage supply range +Vs	10,8 ... 26,4 VDC
current consumption max. (no load)	30 mA
voltage drop Vd	< 2,1 VDC
output function	light / dark operate switchable
on / off delay	1 ... 5000 ms
output circuit	NPN
output current	< 100 mA
short circuit protection	yes
reverse polarity protection	yes

mechanical data

width / diameter	10 mm
height / length	33,8 mm
depth	70,2 mm
type	rectangular
housing material	polycarbonate/ABS
connection types	cable, 2 m

ambient conditions

operating temperature	-20 ... +55 °C
protection class	IP 40

photo



connection diagram

